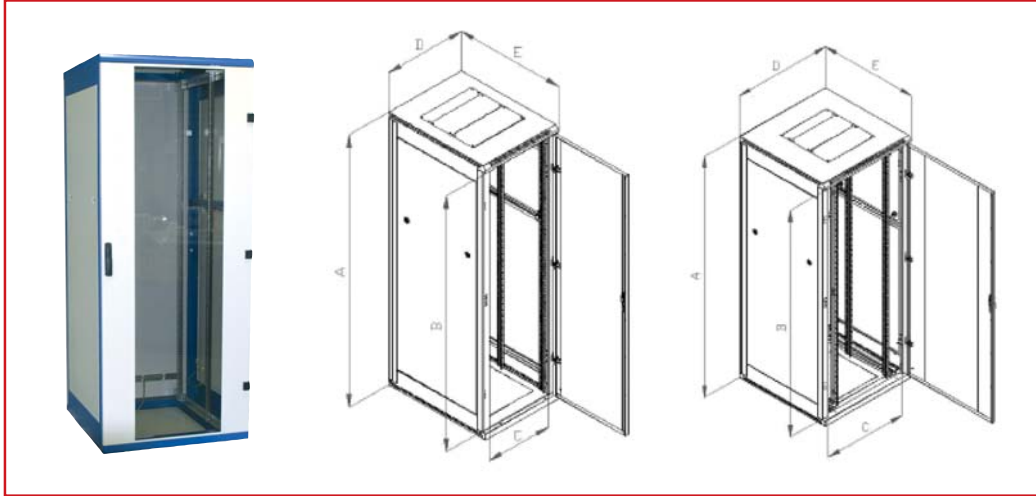


DATA SHEET: FREE-STANDING DATA ENCLOSURES DS



TECHNICAL DATA

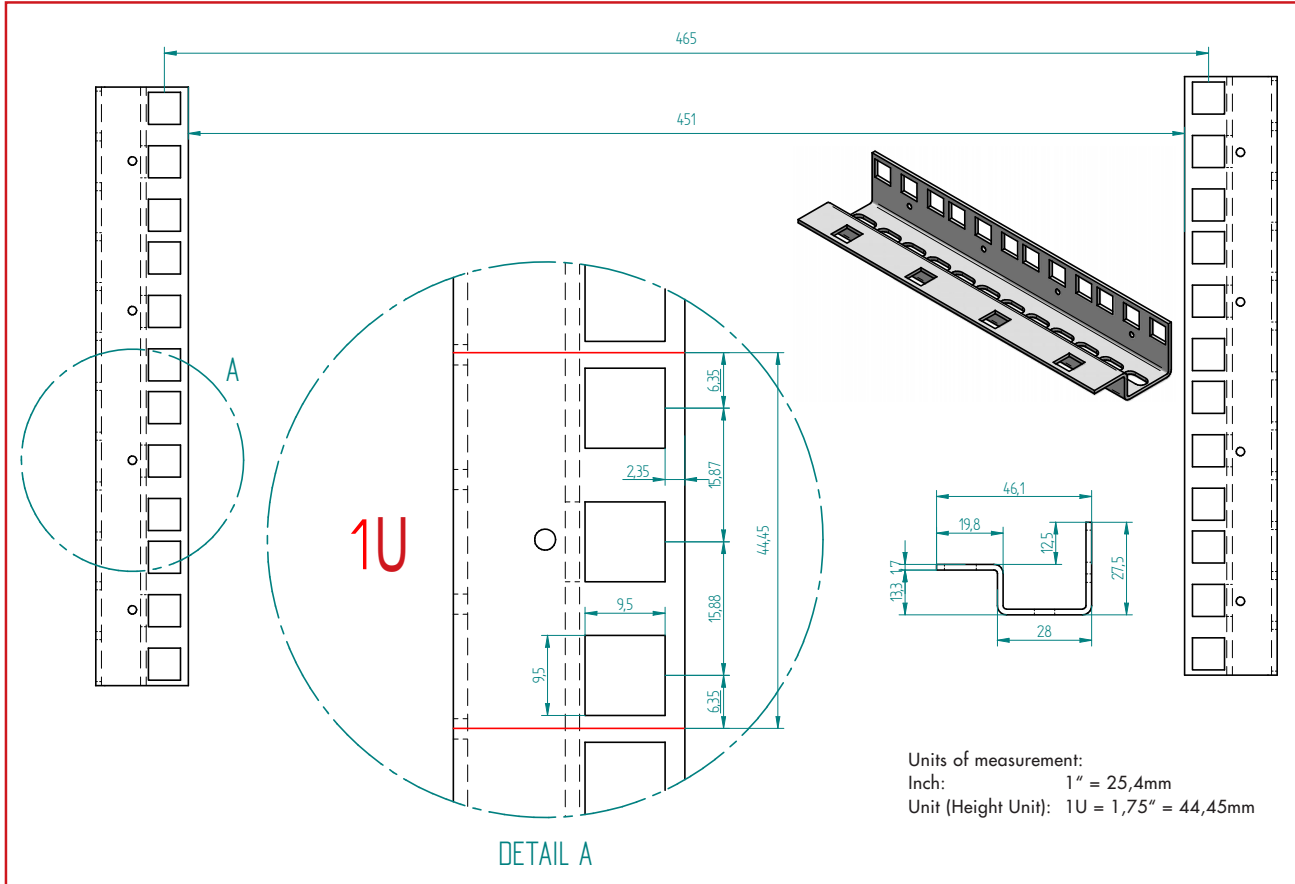
- Welded powder-coated sheet steel skeleton
- Heights: 15, 18, 22, 27, 32, 37, 42, 45 and 47 U
- Widths: 600 and 800 mm
- Depths: 400, 600, 800, 900, 1000 and 1200 mm
- Colour:
Light Grey RAL 7035
Frame Blue RAL 5005
- Maximum load:
15 – 22 U: 300 kg
27 – 47 U: 400 kg
- Degree of protection: IP20
- 4 mm thick safety glass doors with handsome swing handle. Prepared for half-cylinder type locks.
Halfcylinder lock (Order-number: DV900333) optional available.
- Doors hinged right. Can be changed to hinging on left
- Glass doors can be replaced by optional DSRT doors (full metal or perforated, full width or double-wing).
- Removeable and lockable side-panels. Key included. For better passive cooling, side-panels can be replaced by optional perforated side-panels DSRS.
- Removeable and lockable rear-panel. Key included. Rear panel can be replaced by optional DSRT doors (glass, full or perforated metal, full width or double-wing) or by perforated rear-panel DSRR.
- 19" rails (4 pcs.) galvanised, continuously depthadjustable
- In 800mm wide DS enclosures, you can choose to adjust the 19" rails to a width of 21".
- In 900, 1.000 and 1.200 mm deep DS enclosures, there is an additional pair of vertical rails installed in half depth. This makes installation of high depth accessories together with standard accessories possible at the same time.
- Space between front vertical 19"-rail and door glass at max. spacing:
W600 – 35 mm
W800 – 50 mm
- Space between rear vertical 19"-rail and rear panel at max. spacing:
W600 – 35 mm
W800 – 55 mm

■ TECHNICAL DATA – continued

- Maximum distance between vertical rails (19"-rails) in free-standing cabinets:
 - W600 x D400 – 310 mm
 - W600 x D600 – 510 mm
 - W600 x D800 – 710 mm
 - W600 x D900 – 810 mm
 - W600 x D1000 – 910 mm
 - W600 x D1200 – 1110 mm

- W800 x D600 – 470 mm
- W800 x D800 – 670 mm
- W800 x D900 – 770 mm
- W800 x D1000 – 870 mm
- W800 x D1200 – 1070 mm
- Maximum usable depth in free-standing cabinets when installed e.g. on shelves:
 - D400 – 375 mm
 - D600 – 575 mm
 - D800 – 775 mm
 - D900 – 875 mm
 - D1000 – 975 mm
 - D1200 – 1175 mm
- Spacing between vertical 19"-rails: 451 mm
- Roof construction with opening, 19" punched. Flexible covered by removable plates of different heights to allow installation of fan-units and cable-entry panels. Remaining opening can be closed by use of one these plates.
 - D400 - Opening: 6 U, Covering: 1 x 4 U and 1 x 2 U
 - D600 - Opening: 8 U, Covering: 1 x 4 U and 2 x 2 U
 - D800 - Opening: 10 U, Covering: 2 x 4 U and 1 x 2 U
 - D900 - Opening: 12 U, Covering: 2 x 4 U and 2 x 2 U
 - D1000 - Opening: 12 U, Covering: 2 x 4 U and 2 x 2 U
 - D1200 - Opening: 12 U, Covering: 2 x 4 U and 2 x 2 U
- Floor construction with opening, 19" punched. Covered by removable plate in full height.
 - D400 - Opening: 6 U, Covering: 1 x 6 U
 - D600 - Opening: 8 U, Covering: 1 x 8 U
 - D800 - Opening: 10 U, Covering: 1 x 10 U
 - D900 - Opening: 12 U, Covering: 1 x 12 U
 - D1000 - Opening: 12 U, Covering: 1 x 12 U
 - D1200 - Opening: 12 U, Covering: 1 x 12 U
- Roof unit assemblies can also be fitted to floor section. Optional base required.
- Cable entry possible via roof, floor and rear panel. Delivered with demountable or break-out blanking plates.
- Brush strip panel for roof (DBK24800) optional.
- Air vents for passive ventilation
- Earthing:
 - M8-Earthing point plus 19"-Earthingset in the rear of the cabinet
 - FastOn-Earthing-connections to all dismountable parts pre-installed
- Included assembly materials:
 - 16 x Cage nuts, bolts and washers M6
 - 4 x Levelling feet
- Wide range of available accessories (bases, fan-units, cable entry panels, fixed shelves, patch panels, cable management, PDUs, doors, etc.).
- Enclosure is delivered fully-assembled on a disposable pallet.

DRAWINGS OF THE VERTICALS 19"-PROFILE-RAILS



ORDERING INFORMATION

TYPE	W x H x D (mm)	WEIGHT (kg)	ORDER NUMBER
FREESTANDING DATA-ENCLOSURE 600 x 400			
42U Freestanding Data-Enclosure	600 x 1970 x 400	63	DS426040-A
FREESTANDING DATA-ENCLOSURE 600 x 600			
15U Freestanding Data-Enclosure	600 x 770 x 600	35	DS156060-A
18U Freestanding Data-Enclosure	600 x 900 x 600	39	DS186060-A
22U Freestanding Data-Enclosure	600 x 1080 x 600	44	DS226060-A
27U Freestanding Data-Enclosure	600 x 1300 x 600	50	DS276060-A
32U Freestanding Data-Enclosure	600 x 1525 x 600	57	DS326060-A
37U Freestanding Data-Enclosure	600 x 1750 x 600	63	DS376060-A
42U Freestanding Data-Enclosure	600 x 1970 x 600	70	DS426060-A
45U Freestanding Data-Enclosure	600 x 2105 x 600	74	DS456060-A
47U Freestanding Data-Enclosure	600 x 2195 x 600	77	DS476060-A

ORDERING INFORMATION – continued

TYPE	W x H x D (mm)	WEIGHT (kg)	ORDER NUMBER
FREESTANDING DATA-ENCLOSURE 600 x 800			
15U Freestanding Data-Enclosure	600 x 770 x 800	40	DS156080-A
18U Freestanding Data-Enclosure	600 x 900 x 800	44	DS186080-A
22U Freestanding Data-Enclosure	600 x 1080 x 800	50	DS226080-A
27U Freestanding Data-Enclosure	600 x 1300 x 800	57	DS276080-A
32U Freestanding Data-Enclosure	600 x 1525 x 800	65	DS326080-A
37U Freestanding Data-Enclosure	600 x 1750 x 800	72	DS376080-A
42U Freestanding Data-Enclosure	600 x 1970 x 800	79	DS426080-A
45U Freestanding Data-Enclosure	600 x 2105 x 800	83	DS456080-A
FREESTANDING DATA-ENCLOSURE 600 x 900			
42U Freestanding Data-Enclosure	600 x 1970 x 900	87	DS426090-A
FREESTANDING DATA-ENCLOSURE 600 x 1000			
42U Freestanding Data-Enclosure	600 x 1970 x 1000	91	DS426010-A
45U Freestanding Data-Enclosure	600 x 2105 x 1000	101	DS456010-A
FREESTANDING DATA-ENCLOSURE 800 x 600			
22U Freestanding Data-Enclosure	800 x 1080 x 600	55	DS228060-A
27U Freestanding Data-Enclosure	800 x 1300 x 600	63	DS278060-A
32U Freestanding Data-Enclosure	800 x 1525 x 600	70	DS328060-A
37U Freestanding Data-Enclosure	800 x 1750 x 600	77	DS378060-A
42U Freestanding Data-Enclosure	800 x 1970 x 600	84	DS428060-A
45U Freestanding Data-Enclosure	800 x 2105 x 600	89	DS458060-A
FREESTANDING DATA-ENCLOSURE 800 x 800			
18U Freestanding Data-Enclosure	800 x 900 x 800	54	DS188080-A
22U Freestanding Data-Enclosure	800 x 1080 x 800	63	DS228080-A
27U Freestanding Data-Enclosure	800 x 1300 x 800	71	DS278080-A
32U Freestanding Data-Enclosure	800 x 1525 x 800	79	DS328080-A
37U Freestanding Data-Enclosure	800 x 1750 x 800	87	DS378080-A
42U Freestanding Data-Enclosure	800 x 1970 x 800	95	DS428080-A
45U Freestanding Data-Enclosure	800 x 2105 x 800	100	DS458080-A
47U Freestanding Data-Enclosure	800 x 2195 x 800	103	DS478080-A
FREESTANDING DATA-ENCLOSURE 800 x 900			
42U Freestanding Data-Enclosure	800 x 1970 x 900	104	DS428090-A
FREESTANDING DATA-ENCLOSURE 800 x 1000			
42U Freestanding Data-Enclosure	800 x 1970 x 1000	109	DS428010-A
45U Freestanding Data-Enclosure	800 x 2105 x 1000	115	DS458010-A
47U Freestanding Data-Enclosure	800 x 2195 x 1000	119	DS478010-A
FREESTANDING DATA-ENCLOSURE 800 x 1200			
42U Freestanding Data-Enclosure	800 x 1970 x 1200	122	DS428020-A

ACCESSORIES

DESCRIPTION	ORDER NUMBER
FAN-UNITS	
Roof-fan-unit, equipped with 6 fans and thermostat, RAL7035, 8U	DLT44806-A
Roof-fan-unit, equipped with 3 fans and thermostat, RAL7035, 4U	DLT44803-A
Roof-fan-unit, equipped with 2 fans and thermostat, RAL7035, 4U	DLT44802-A
Roof-fan-unit, equipped with 1 fan and thermostat, RAL7035, 4U	DLT44801-A
CABLE-ENTRY-PANEL	
Roof-cable-entry panel with brush, RAL7035, 2U	DBK24800
BASES	
Base, pair of side-profiles, RAL7035, D=1.200mm	DSOT1220
Base, pair of side-profiles, RAL7035, D=1.000mm	DSOT1210
Base, pair of side-profiles, RAL7035, D=800mm	DSOT1280
Base, pair of side-profiles, RAL7035, D=600mm	DSOT1260
Base, pair of side-profiles, RAL7035, D=400mm	DSOT1240
Base, front-/ rear-panel, RAL7035, W=800mm, Blanking	DSOF1280
Base, front-/ rear-panel, RAL7035, W=800mm, Perforated	DSOF1281
Base, front-/ rear-panel, RAL7035, W=800mm, Cable-entry	DSOF1282
Base, front-/ rear-panel, RAL7035, W=800mm, Perforated with dust-filter	DSOF1283
Base, front-/ rear-panel, RAL7035, W=600mm, Blanking	DSOF1260
Base, front-/ rear-panel, RAL7035, W=600mm, Perforated	DSOF1261
Base, front-/ rear-panel, RAL7035, W=600mm, Cable-entry	DSOF1262
Base, front-/ rear-panel, RAL7035, W=600mm, Perforated with dust-filter	DSOF1263
CASTORS	
Castors for DS-enclosures, 4 castors (2 braked), max 750 kg load	DSR00005-A
DOORS (REPLACEMENT OF STANDARD FRONT-GLAS-DOOR OR REAR-PANEL)	
Door 42U, W=800mm, RAL7035, Metal perforated	DSRT4281
Door 42U, W=800mm, RAL7035, Solid Metal	DSRT4282
Door 42U, W=800mm, RAL7035, Glas	DSRT4283
Double-wing-door 42U, W=800mm, RAL7035, Metall perforated	DSRT4285
Double-wing-door 42U, W=800mm, RAL7035, Solid-Metal	DSRT4286
Double-wing-door 42U, W=800mm, RAL7035, Glas	DSRT4287
Door 42U, W=600mm, RAL7035, Metal perforated	DSRT4261
Door 42U, W=600mm, RAL7035, Solid Metal	DSRT4262
Door 42U, W=600mm, RAL7035, Glas	DSRT4263
Double-wing-door 42U, W=600mm, RAL7035, Metall perforated	DSRT4265
Double-wing-door 42U, W=600mm, RAL7035, Solid-Metal	DSRT4266
Double-wing-door 42U, W=600mm, RAL7035, Glas	DSRT4267

ACCESSORIES – continued

DESCRIPTION	ORDER NUMBER
DOORS (REPLACEMENT OF STANDARD FRONT-GLAS-DOOR OR REAR-PANEL)	
Door 45U, W=800mm, RAL7035, Metal perforated	DSRT4581
Door 45U, W=800mm, RAL7035, Solid Metal	DSRT4582
Door 45U, W=800mm, RAL7035, Glas	DSRT4583
Double-wing-door 45U, W=800mm, RAL7035, Metall perforated	DSRT4585
Double-wing-door 45U, W=800mm, RAL7035, Solid-Metal	DSRT4586
Double-wing-door 45U, W=800mm, RAL7035, Glas	DSRT4587
Door 45U, W=600mm, RAL7035, Metal perforated	DSRT4561
Door 45U, W=600mm, RAL7035, Solid Metal	DSRT4562
Door 45U, W=600mm, RAL7035, Glas	DSRT4563
Double-wing-door 45U, W=600mm, RAL7035, Metall perforated	DSRT4565
Double-wing-door 45U, W=600mm, RAL7035, Solid-Metal	DSRT4566
Double-wing-door 45U, W=600mm, RAL7035, Glas	DSRT4567
PERFORATED PANELS (REPLACEMENT OF STANDARD FULL-METAL-PANELS)	
Rear-panel perforated for DS-enclosure 42U, W=600mm, RAL7035	DSRR4261
Rear-panel perforated for DS-enclosure 42U, W=800mm, RAL7035	DSRR4281
Rear-panel perforated for DS-enclosure 45U, W=600mm, RAL7035	DSRR4561
Rear-panel perforated for DS-enclosure 45U, W=800mm, RAL7035	DSRR4581
Side-panel perforated for DS-enclosure 42U, D=600mm, RAL7035	DSRS4261
Side-panel perforated for DS-enclosure 42U, D=800mm, RAL7035	DSRS4281
Side-panel perforated for DS-enclosure 42U, D=1.000mm, RAL7035	DSRS4211
Side-panel perforated for DS-enclosure 45U, D=600mm, RAL7035	DSRS4561
Side-panel perforated for DS-enclosure 45U, D=800mm, RAL7035	DSRS4581
Side-panel perforated for DS-enclosure 45U, D=1.000mm, RAL7035	DSRS4511
SWING-FRAME	
Swing-Frame 19", 37U for DS-enclosure 42U, Width=800mm (DS4280xx-A)	HDSSON0024
SHELVES	
Fixed shelf 150mm, RAL7035, 1U, Load up to 15kg	DFS14815-C
Fixed shelf 250mm, RAL7035, 1U, Load up to 15kg	DFS14825-C
Fixed shelf 350mm, RAL7035, 1U, Load up to 50kg	DFS14835-C
Fixed shelf 450mm, RAL7035, 1U, Load up to 80kg	DFS14845-C
Fixed shelf 650mm, RAL7035, 1U, Load up to 80kg	DFS14865-C
Fixed shelf 750mm, RAL7035, 1U, Load up to 80kg	DFS14875-C
Fixed shelf 450mm, RAL7035, 1U, Heavy Duty. Load up to 150kg	DFSS4845-A
Fixed shelf 550mm, RAL7035, 1U, Heavy Duty. Load up to 150kg	DFSS4855-A
Fixed shelf 650mm, RAL7035, 1U, Heavy Duty. Load up to 150kg	DFSS4865-A
Fixed shelf 750mm, RAL7035, 1U, Heavy Duty. Load up to 150kg	DFSS4875-A

ACCESSORIES – continued

DESCRIPTION	ORDER NUMBER
SHELVES	
Sliding shelf, D=350mm, RAL7035, 1U, Load up to 20kg	DFA14835
Sliding shelf, D=450mm, RAL7035, 1U, Load up to 20kg	DFA14845
Sliding shelf, D=550mm, RAL7035, 1U, Load up to 20kg	DFA14855
Sliding shelf, D=650mm, RAL7035, 1U, Load up to 20kg	DFA14865
Sliding shelf for keyboard and mouse, D=372mm, RAL7035, 2U, lockable	DFK24837
POWER DISTRIBUTION UNITS	
19" Power Distribution Unit, 7x Schuko (German-style version), Overvoltage protection, 1.25U	IU070113
19" Power Distribution Unit, 9x Schuko (German-style version), 1U	IU070114
19" Power Distribution Unit, 8x Schuko (German-style version), 1.25U	IU070109
19" Power Distribution Unit, 7x Schuko (German-style version) + On-/Off-Switch, 1.25U	IU070107-B
19" Power Distribution Unit, 6x Schuko (German-style version) with RCBO BO217516, 1U	IU070112
19" Power Distribution Unit, 8x UTE (French-style version), 1.25U	IU070110
19" Power Distribution Unit, 6x UTE (French-style version), Overvoltage protection, 1.5U	IU070121
CABLE GUIDING	
19" Cable-guide panel, 5 plastic rings, 1U, RAL7035	DBK14805
19" Cable-guide panel, 5 metal rings, 1U, RAL7035	DBC14805
19" Cable-guide panel with plastic cable-trunk, 1U, RAL7035	HDBS148051
19" Cable-guide panel with plastic cable-trunk, 2U, RAL7035	HDBS148053
19" Cable-guide panel for fixing of installation cable, 1HU, RAL7035	DBO14200
19" Cable-management panel 170x150mm for installation to 19" verticals	DBO14201
Cable-Organiser for vertical cable management. Fixed to 19"-rail, 80x80mm	DBKO8080
Cable-guide vertical for 800mm wide DS enclosure 42U	DSKV4280
Cable-guide vertical for 800mm wide DS enclosure 45U	DSKV4580
LIGHT	
19" Light unit for 19"-installation, with magnet	DV900330-A
Door-position switch (optional)	ASDSW010
Adapter for installation of door-switch to a DS-enclosure	DSADA001
Cable for connection of door-switch to light-unit DV900330-A	DV900332
DIN-RAIL PANEL	
19" DIN-rail panel 3U	DAB34810
POUCH	
Pouch for circuit diagrams, self adhesive, A4	ASDRA400
HALFCYLINDERLOCK	
Halfcylinderlock including 1 key No. 933	DV900333
Key 333 for halfcylinderlock DV900333	DV900334
CONNECTION-KIT	
Connection-Kit for DS-Enclosures	DSRA0002
INSTALLATION-SET	
19" Installation-set: 50 pcs. of M6 cagenuts, screws and washers	DSSRA050