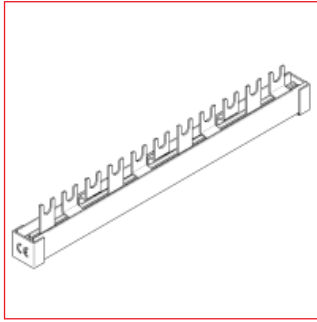


Compact-fork-busbar 3-pole, not possible to break off, 11 MW



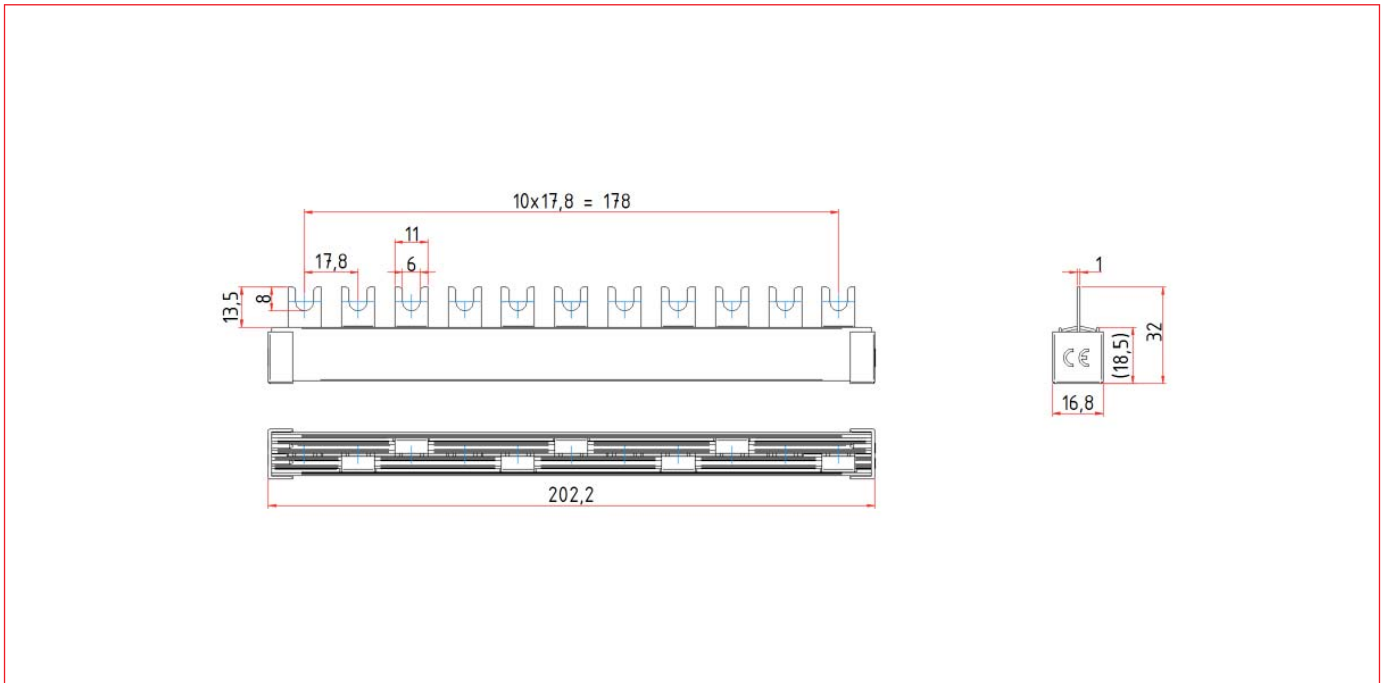
BS990154

Schrack-Info

- Fork busbar for wiring of devices series AMPARO with dual-function terminal
- Pitch 17.8 mm
- 11 MW
- 1 x RCCB 4-pole (neutral on left side) and 1- or 3-pole MCBS
- Phase sequence: L1, L2, L3, L1, L2, L3, L1, L2, L3, L1, L2

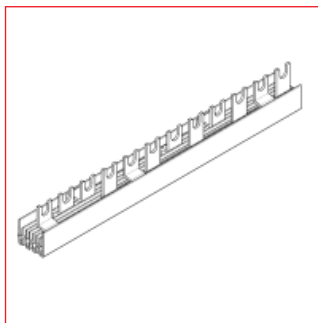
		BS990154
Busbar type:		Fork-busbar
Number of poles:		3-pole
Mounting type:		not possible to break off
Cross section:		10mm ²
Module-width:		17,8mm
Number of pins:		11
Length:		214mm
Phase sequence:		L1, L2, L3, L1, L2, L3, L1, L2, L3, L1, L2
Standards:		EN 60947-1 / IEC 60947-1
Material of busbar:		E – Cu 58 F25
Max. operation voltage:		690V-AC/DC
Insulation coordination:		Overvoltage category III
		Degree of pollution 2
Protection class:		IP20
Impulse voltage strength:		≥ 4,5kV (1kV/mm clearance)
Shit circuit strength:		15kA
Feeding at beginning / ending	Max. current Is/Phase	63A
	Connection cross current	10mm ²
End cap:		BS900116

BS990154 Dimensioned drawing



DESCRIPTION	AVAILABLE	ORDER NO.
Busbar		
Fog 17,8 10mm ² 3P 11 TE		BS990154
Accessories		
Busbar end-cap 2/3-pole		BS900116

Compact-fork-busbar 4-pole, not possible to break off, 12MW



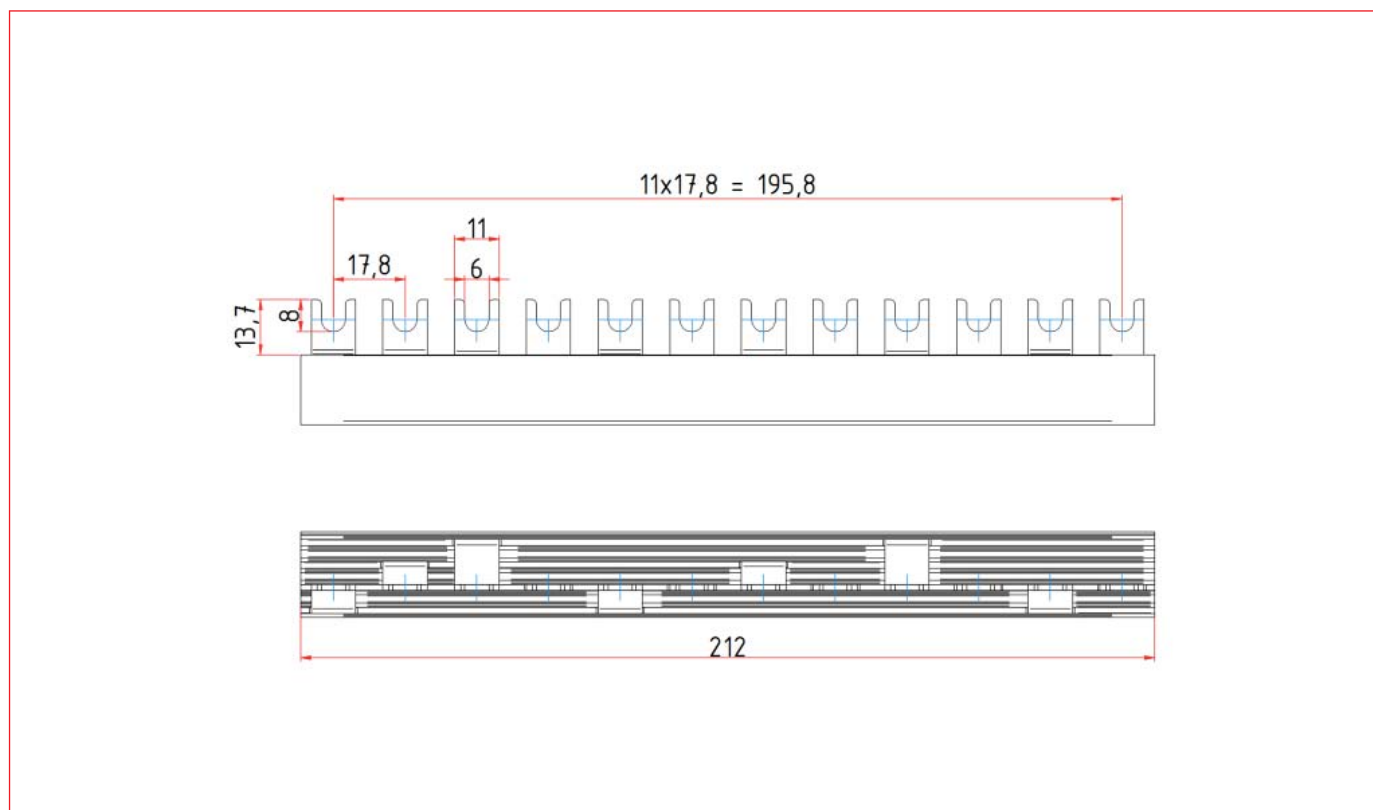
BS900053

Schrack-Info

- Fork busbar for wiring of devices with Dual-function terminals
- Pitch 17.8 mm

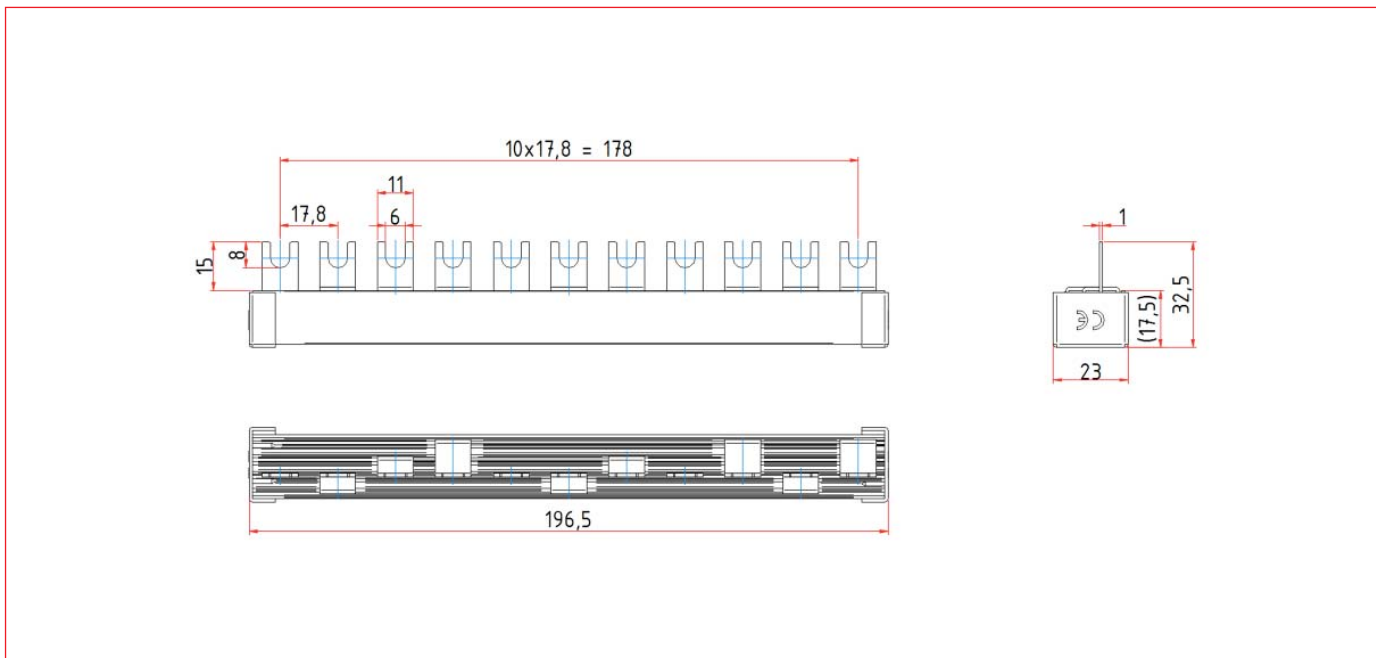
	BS900053	BS900052	BS900054	BS900058	BS900059	
Busbar type:	Fork-busbar	Fork-busbar	Fork-busbar	Fork-busbar	Fork-busbar	
Number of poles:	4-pole	4-pole	4-pole	4-pole	4-pole	
Mounting type:	not possible to break off	not possible to break off	not possible to break off	not possible to break off	not possible to break off	
Cross section:	16mm ²	10mm ²	16mm ²	10mm ²	16mm ²	
Module-width:	17,8mm	17,8mm	17,8mm	17,8mm	17,8mm	
Number of pins:	12	12	12	12	12	
Length:	212mm	197mm	212mm	212mm	212mm	
Phase sequence:	L1, L2, L3, N, L1, N, L2, N, L3, N, L1, N	L1, L2, L3, N, L1, L2, L3, N, L1, N, L2, N	L1, L2, L3, N, L1, L2, L3, N, L1, L2, L3, N	L1, N, L2, N, L3, N, L1, N, L2, N, L3, N	L1, L2, L3, N, L1, L2, L3, N, L1, L2, L3, N	
Standards:	EN 60947-1 / IEC 60947-1					
Material of busbar:	E – Cu 58 F25					
Max. operation voltage:	690V-AC/DC					
Insulation coordination:	Overvoltage category III					
Protection class:	Degree of pollution 2					
Impulse voltage strength:	IP20					
Shit circuit strength:	≥ 4,5kV (1kV/mm clearance)					
Feeding at beginning / ending	Max. current I _s /Phase	80A	63A	80A	63A	80A
	Connection cross current	16mm ²	10mm ²	16mm ²	10mm ²	16mm ²
End cap:		BS900117	BS900117	BS900117	BS900117	BS900117

BS900053 Dimensional drawing

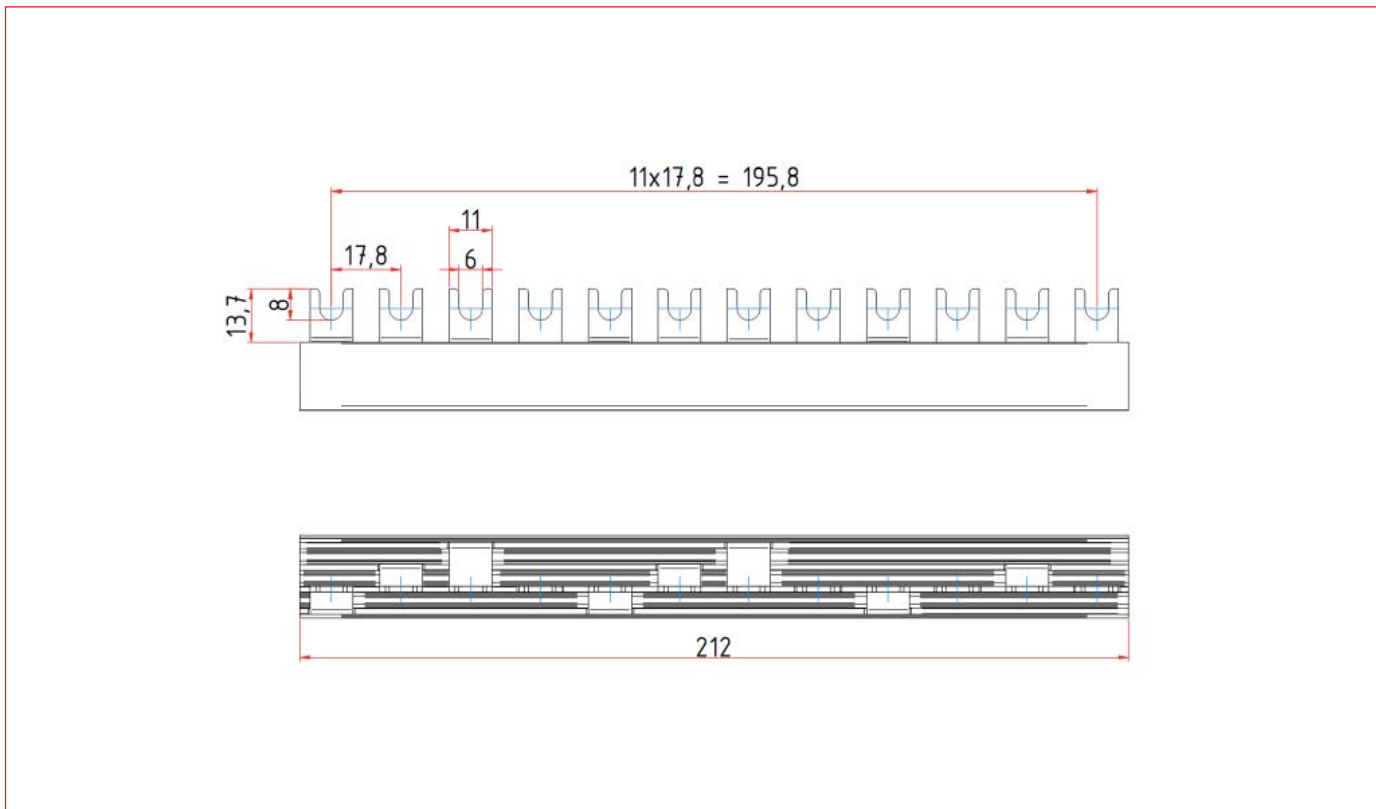


Compact-fork-busbar 4-pole, not possible to break off, 12MW

BS900052 Dimensional drawing

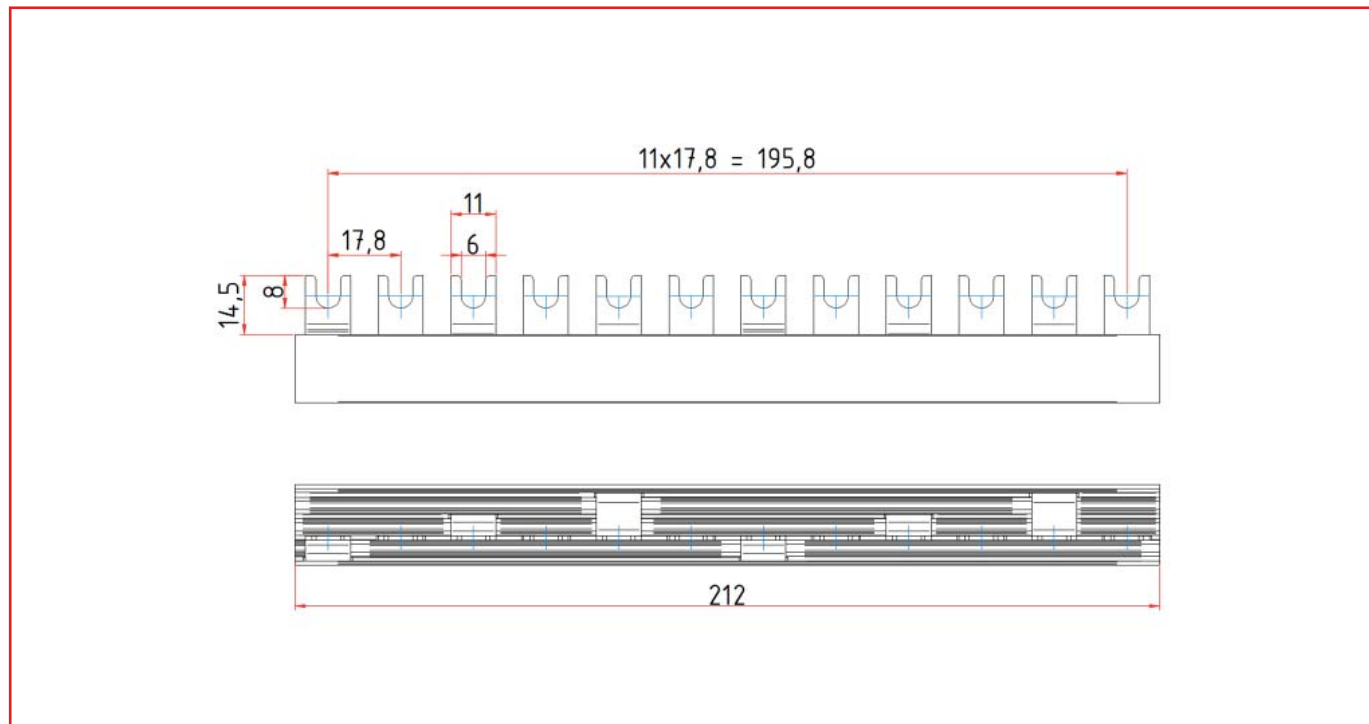


BS900054 Dimensional drawing

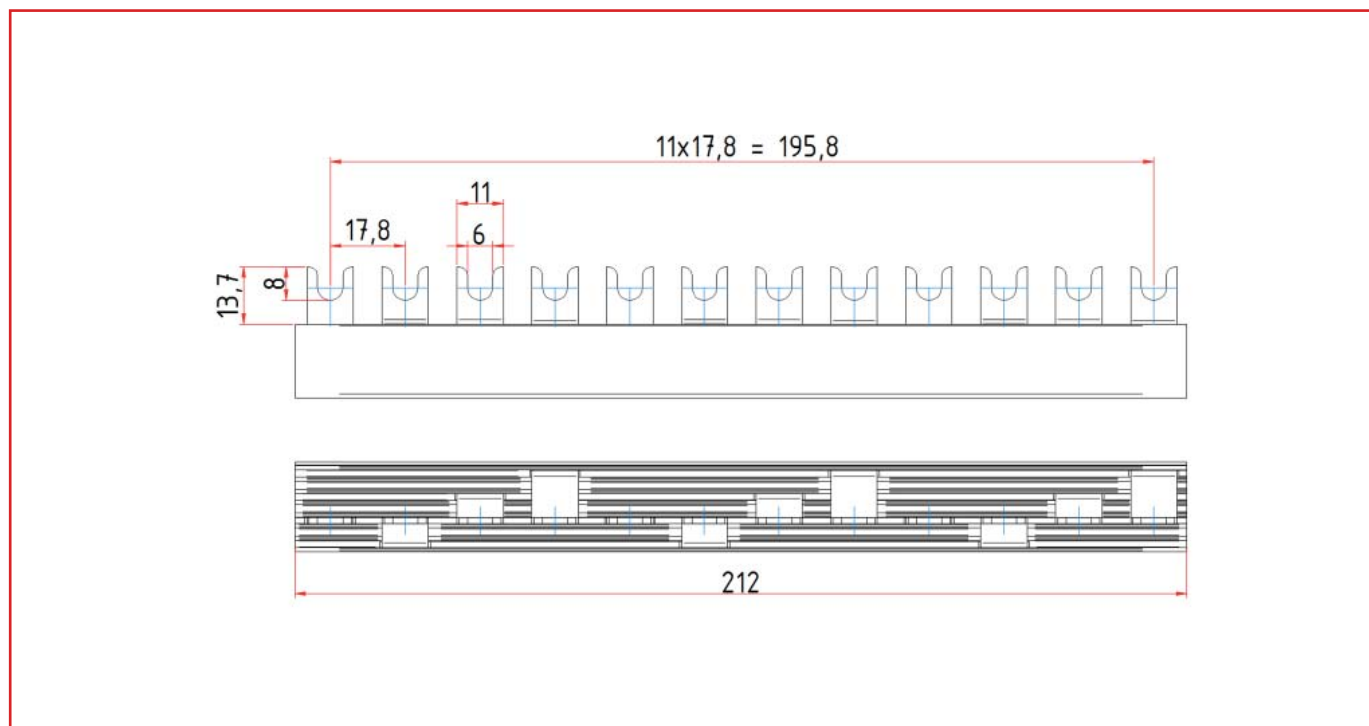


Compact-fork-busbar 4-pole, not possible to break off, 12MW

BS900058 Dimensional drawing

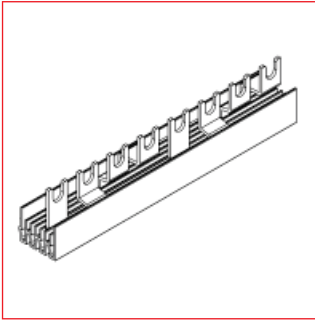


BS900059 Dimensional drawing



DESCRIPTION	AVAILABLE	ORDER NO.
Busbars		
1 x RCCB 4-pole + 4 x MCB 1+N, 12MW, 16mm ²		BS900053
1 x RCCB 4-pole + 1 x MCB 3-pole+ 3 x MCB 1+N, 12MW, 10mm ²		BS900052
1 x RCCB 4-pole + 1 x MCB 3+N + 2 x MCB 1+N, 12MW, 16mm ²		BS900054
6 x MCB 1+N, 12MW, 10mm ²		BS900058
1 x RCCB 4-pole + 4 x SPD + 1 x MCB 3+N, 12MW, 16mm ²		BS900059
Accessories		
Busbar end-cap 4-pole		BS900117

Compact-fork-busbar 4-pole, not possible to break off, 8MW



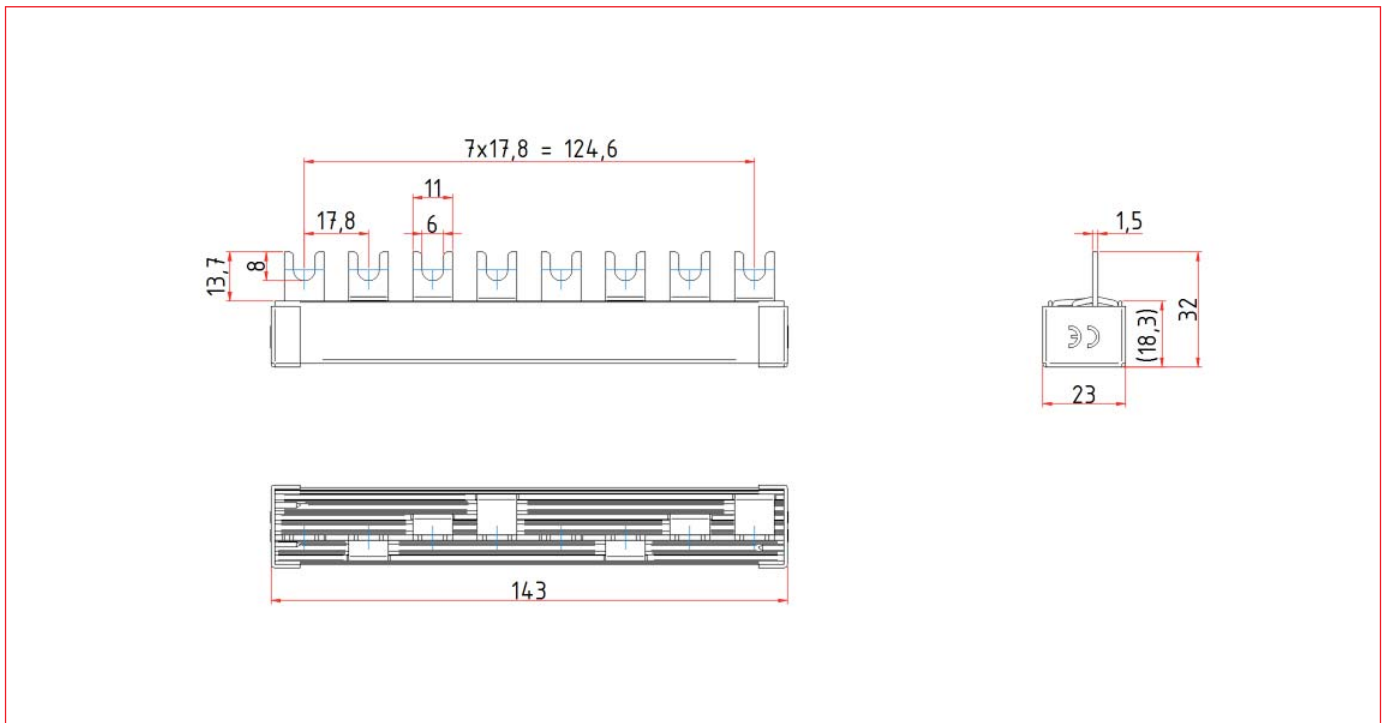
BS900060

Schrack-Info

- Fork busbar for wiring of 2 pcs. 4-pole devices with dual-function terminal
- Pitch 17.8 mm
- 8 MW

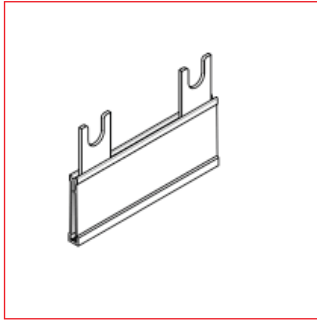
	BS900060	
Busbar type:	Fork-busbar	
Number of poles:	4-pole	
Mounting type:	not possible to break off	
Cross section:	16mm ²	
Module-width:	17,8mm	
Number of pins:	8	
Length:	141mm	
Phase sequence:	L1, L2, L3, N, L1, L2, L3, N	
Standards:	EN 60947-1 / IEC 60947-1	
Material of busbar:	E – Cu 58 F25	
Max. operation voltage:	690V-AC/DC	
Insulation coordination:	Overvoltage category III	
	Degree of pollution 2	
Protection class:	IP20	
Impulse voltage strength:	≥ 4,5kV (1kV/mm clearance)	
Shit circuit strength:	15kA	
Feeding at beginning / ending	Max. current Is/Phase	80A
	Connection cross current	16mm ²
End cap:	BS900117	

BS900060 Dimensioned drawing



DESCRIPTION	AVAILABLE	ORDER NO.
Busbar		
1 x RCCB 4-pole + 4 x ÜA / MW=18mm / 16mm ²		BS900060
Accessories		
Busbar end-cap 4-pole		BS900117

Compact-fork-busbar 2-pole, not possible to break off, 2x2 MW



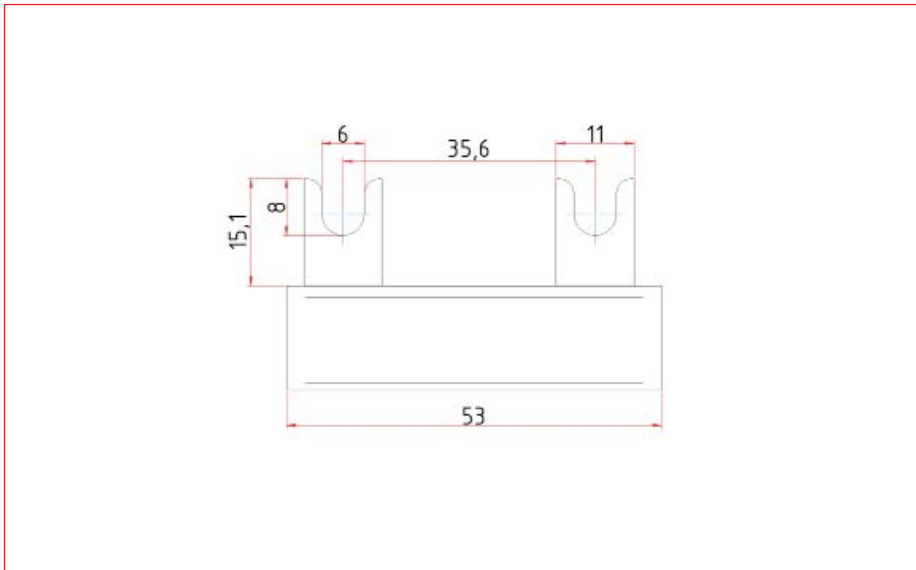
BS990059

Schrack-Info

- Fork busbar for neutral duct wiring of 3 pcs. 1+N devices with dual-function terminal

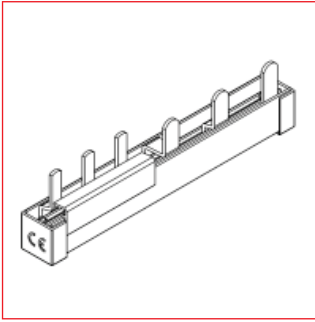
		BS990059
Busbar type:		Fork-busbar
Number of poles:		1-pole
Mounting type:		not possible to break off
Cross section:		10mm ²
Module-width:		17,8mm
Number of pins:		2
Length:		53mm
Phase sequence:		N
Standards:		EN 60947-1 / IEC 60947-1
Material of busbar:		E – Cu 58 F25
Max. operation voltage:		690V-AC/DC
Insulation coordination:		Overvoltage category III
		Degree of pollution 2
Protection class:		IP20
Impulse voltage strength:		≥ 4,5kV (1kV/mm clearance)
Shit circuit strength:		15kA
Feeding at beginning / ending	Max. current Is/Phase	63A
	Connection cross current	10mm ²

BS990059 Dimensioned drawing



DESCRIPTION	AVAILABLE	ORDER NO.
C-Busbar N, 16mm ² , 2x2MW		BS990059

Compact-pin-busbar 3-pole, not possible to break off, for surge protective devices



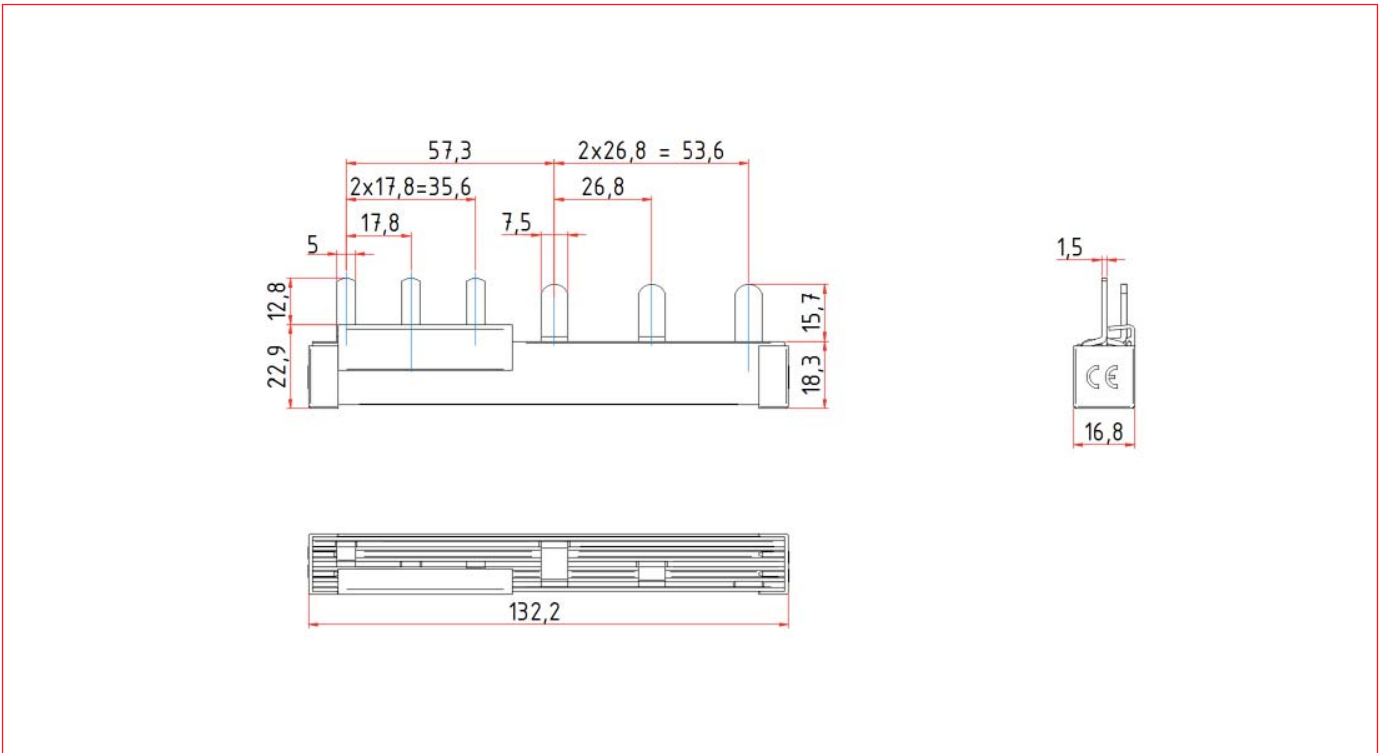
BS990061

Schrack-Info

- Pin busbar in special version for wiring of one device with a surge protective device

		BS990061
Busbar type:		Pin-busbar
Number of poles:		3-pole
Mounting type:		not possible to break off
Cross section:		16mm ²
Module-width:		17,8mm + 26,8mm
Number of pins:		6
Length:		132mm
Phase sequence:		L1, L2, L3, L1, L2, L3
Standards:		EN 60947-1 / IEC 60947-1
Material of busbar:		E – Cu 58 F25
Max. operation voltage:		690V-AC/DC
Insulation coordination:		Overvoltage category III
		Degree of pollution 2
Protection class:		IP20
Impulse voltage strength:		≥ 4,5kV (1kV/mm clearance)
Shit circuit strength:		15kA
Feeding at beginning / ending	Max. current Is/Phase	80A
	Connection cross current	16mm ²

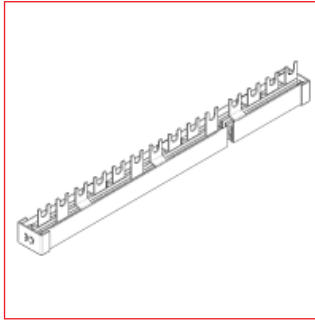
BS990061 Dimensional drawing



DESCRIPTION	AVAILABLE	ORDER NO.
Busbar Pin Version, 3-pole, 16mm ² , adapter form		BS990061



Compact-fork-busbar 4-pole, not possible to break off, 20-32MW



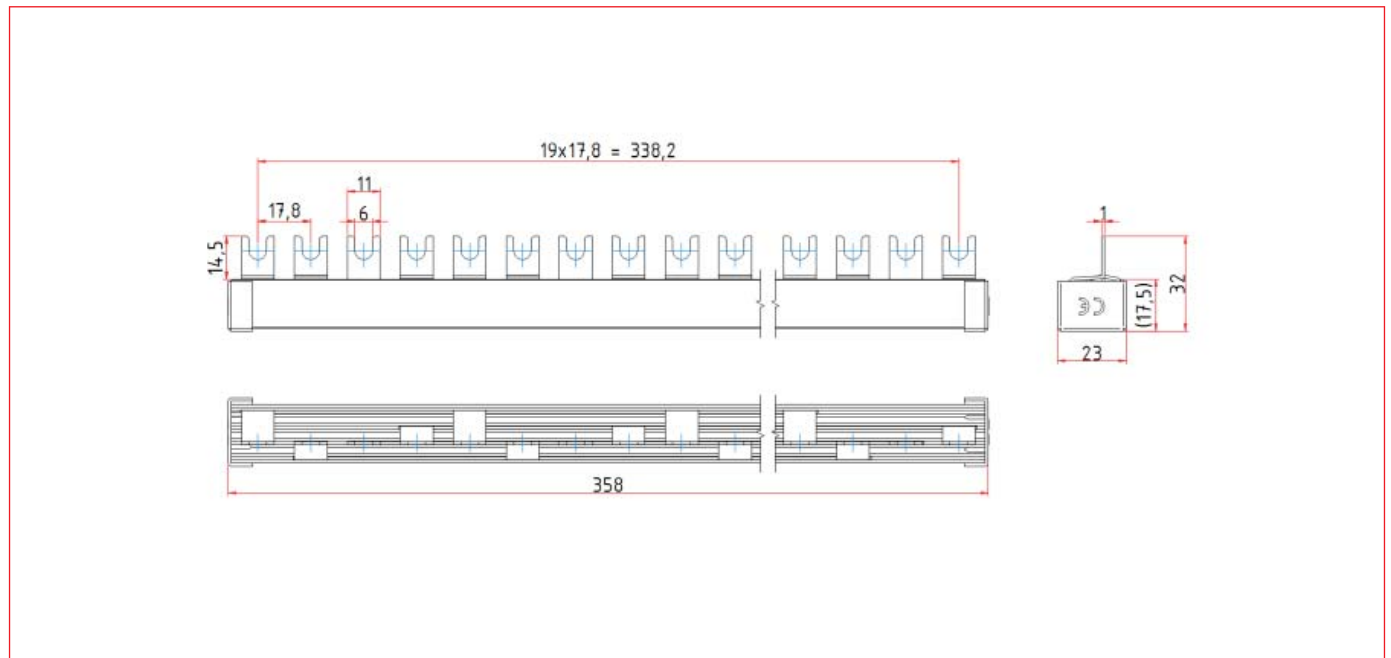
BS900065

Schrack-Info

- Fork busbar for wiring of devices with dual-function terminal
- Pitch 17.8 mm

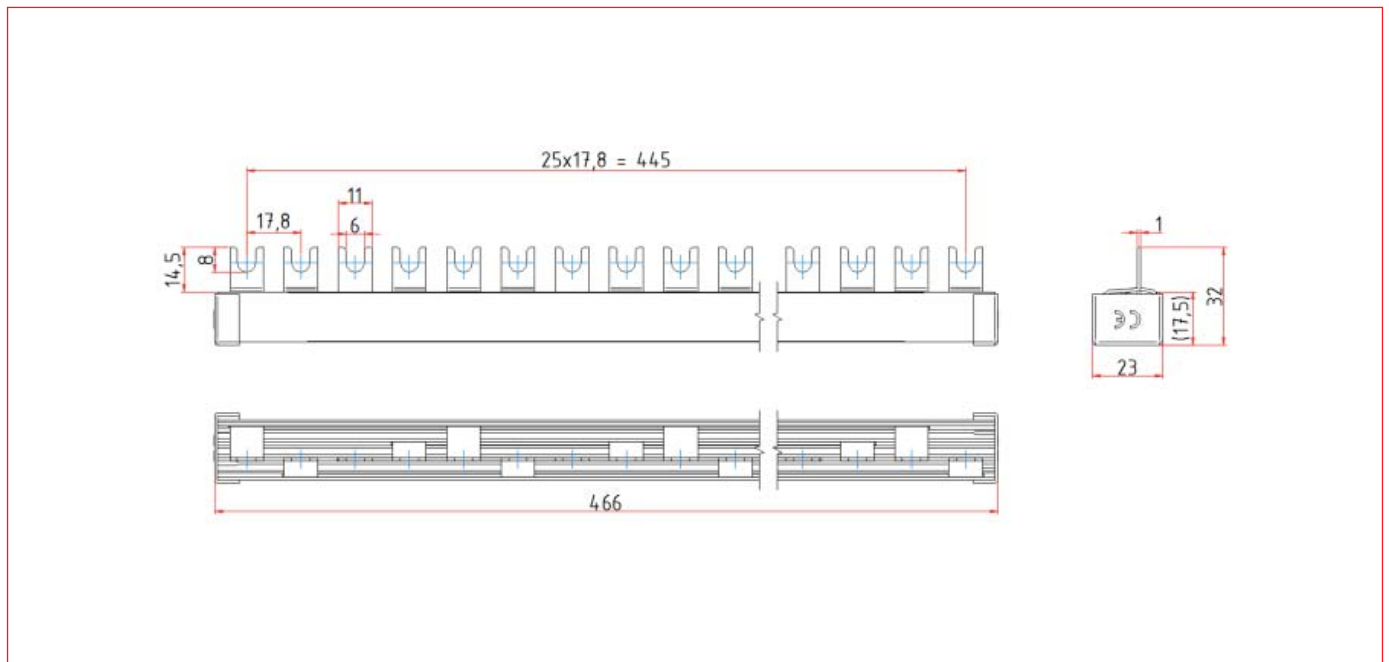
	BS900065	BS900066	BS900067
Busbar type:	Fork-busbar	Fork-busbar	Fork-busbar
Number of poles:	4-pole	4-pole	4-pole
Mounting type:	not possible to break off	not possible to break off	not possible to break off
Cross section:	10mm ²	10mm ²	10mm ²
Module-width:	17,8mm	17,8mm	17,8mm
Number of pins:	20	26	32
Length:	358mm	466mm	574mm
Phase sequence:	L1, L2, L3, N,	L1, L2, L3, N,	L1, L2, L3, N,
Standards:	EN 60947-1 / IEC 60947-1		
Material of busbar:	E – Cu 58 F25		
Max. operation voltage:	690V-AC/DC		
Insulation coordination:	Overvoltage category III		
	Degree of pollution 2		
Protection class:	IP20		
Impulse voltage strength:	≥ 4,5kV (1kV/mm clearance)		
Short circuit strength:	15kA		
Feeding at beginning / ending	Max. current Is/Phase	63A	63A
	Connection cross current	10mm ²	10mm ²
End cap:	BS900117	BS900117	BS900117

BS900065 Dimensional drawing

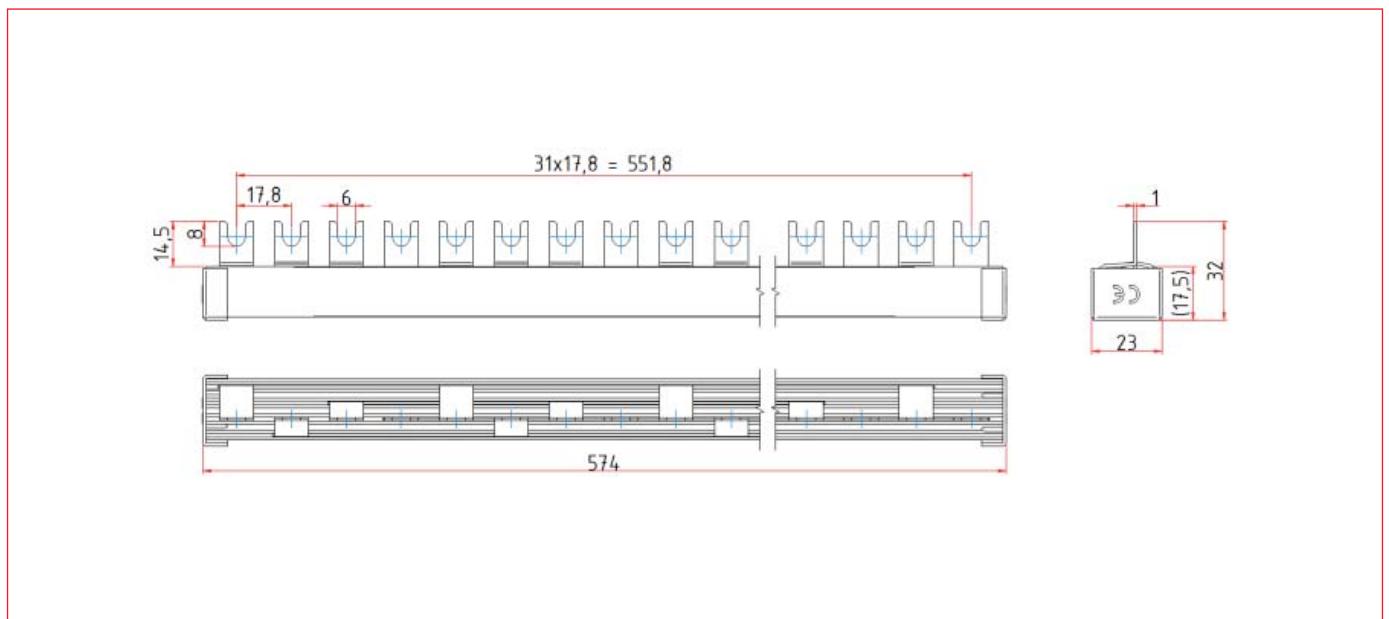


Compact-fork-busbar 4-pole, not possible to break off, 20-32MW

BS900066 Dimensional drawing

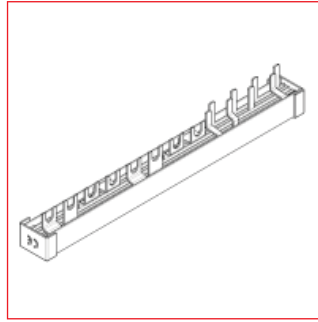


BS900067 Dimensional drawing



DESCRIPTION	AVAILABLE	ORDER NO.
Busbars		
Fork-busbar 10 mm ² , 4-pole, 20MW		BS900065
Fork-busbar 10 mm ² , 4-pole, 26MW		BS900066
Fork-busbar 10 mm ² , 4-pole, 32MW		BS900067
Accessories		
Busbar end-cap 4-pole		BS900117

Compact-busbar for MCB 1+N on 1MW



BS990165

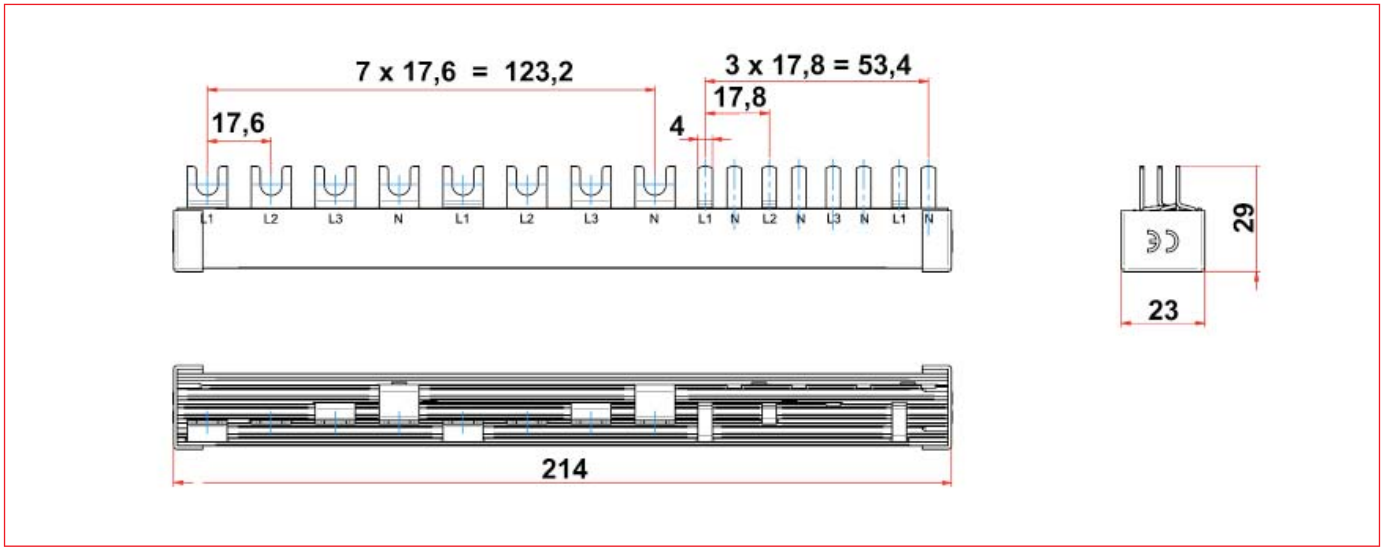
Schrack-Info

The compact rail system deliver the fastest, easiest and safest wiring system for MCB 1+N on 1MW

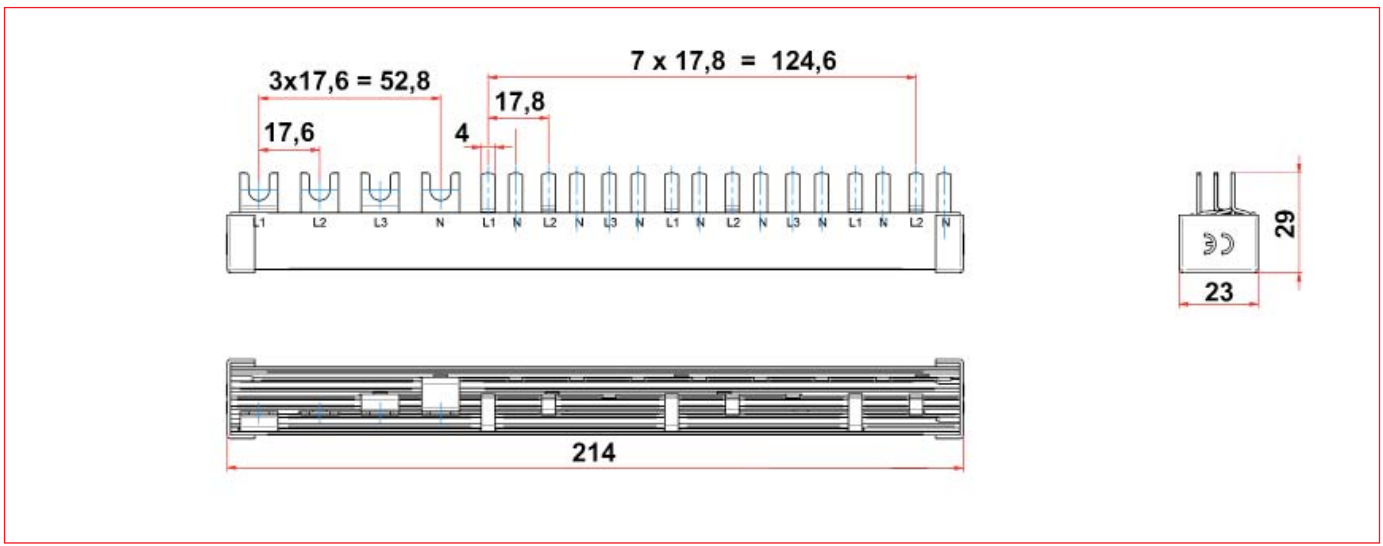
	BS990165	BS990169	BS990167	BS990164	BS990068	BS990162	BS990163	
Busbar type:	Fork-/ Pin-busbar	Fork-/ Pin-busbar	Fork-/ Pin-busbar	Fork-/ Pin-busbar	Fork-/ Pin-busbar	Fork-/ Pin-busbar	Fork-/ Pin-busbar	
Number of poles:	4-pole	4-pole	4-pole	4-pole	4-pole	4-pole	4-pole	
Mounting type:	not possible to break off	not possible to break off	not possible to break off	not possible to break off	not possible to break off	not possible to break off	not possible to break off	
Cross section:	10mm ²	10mm ²	10mm ²	10mm ²	10mm ²	10mm ²	10mm ²	
Module-width:	17,8mm	17,8mm	17,8mm	17,8mm	17,6mm + 17,8mm	17,6mm + 17,8mm	17,6mm + 17,8mm	
Number of pins:	12	12	12	12	12	30	28	
Length:	214mm	214mm	214mm	214mm	214mm	538mm	500mm	
Phase sequence:	L1, L2, L3, N, L1, L2, L3, N, L1, N, L2, N, L3, N, L1, N	L1, L2, L3, N, L1, N, L2, N, L3, N, L1, N, L2, N, L3, N, L1, N, L2, N	L1, L2, L3, N, L1, L2, L3, L1, N, L2, N, L3, N, L1, N, L2, N	L1, L2, L3, N, L1, L2, L3, N, L1, N, L2, N, L3, N, L1, N	L1, L2, L3, N, L1, L2, L3, N, L1, N, L2, N, L3, N, L1, N	L1, L2, L3, N, L1, L2, L3, N, L1, N, L2, N, L3, N, L1, N	3 x L1, L2, L3, N, 6 x L1, N, L2, N, L3, N	4 x L1, L2, L3, N, 4 x L1, N, L2, N, L3, N
Sample of application:	1 x RCCB 4-pole, 1 x MCB 3+N, 4 x MCB1+N/1MW	1 x RCCB 4-pole, 8 x MCB1+N/1MW	1 x RCCB 4-pole, 1 x MCB 3-pole 4 x MCB1+N/1MW	1 x RCCB 4-pole, 1 x MCB 3+N, 4 x MCB1+N/1MW	1 x RCCB 4-pole, 1 x MCB 3+N, 4 x MCB1+N/1MW	1 x RCCB 4-pole, 2 x MCB 3+N, 18 x MCB1+N/1MW	1 x RCCB 4-pole, 2 x MCB 3+N, 18 x MCB1+N/1MW	
Standards:	EN 60947-1 / IEC 60947-1							
Material of busbar:	E – Cu 58 F25							
Max. operation voltage:	690V-AC/DC							
Insulation coordination:	Overvoltage category III							
	Degree of pollution 2							
Protection class:	IP20							
Impulse voltage strength:	≥ 4,5kV (1kV/mm clearance)							
Shit circuit strength:	15kA							
Feeding at beginning / ending	Max. current I _s /Phase	63A	63A	63A	63A	63A	63A	
	Connection cross current	10mm ²	10mm ²	10mm ²	10mm ²	10mm ²	10mm ²	
End cap:	BS900117	BS900117	BS900117	can't be shortened	BS900117	BS900117	BS900117	

Compact-busbar for MCB 1+N on 1MW

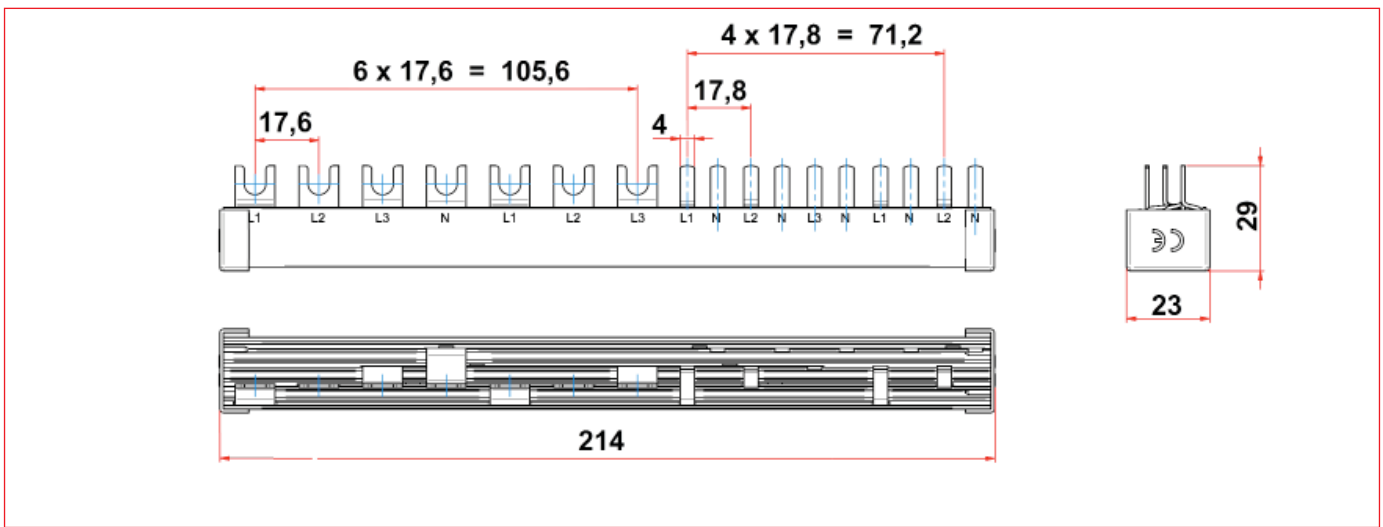
BS900165 Dimensioned drawing



BS900169 Dimensioned drawing

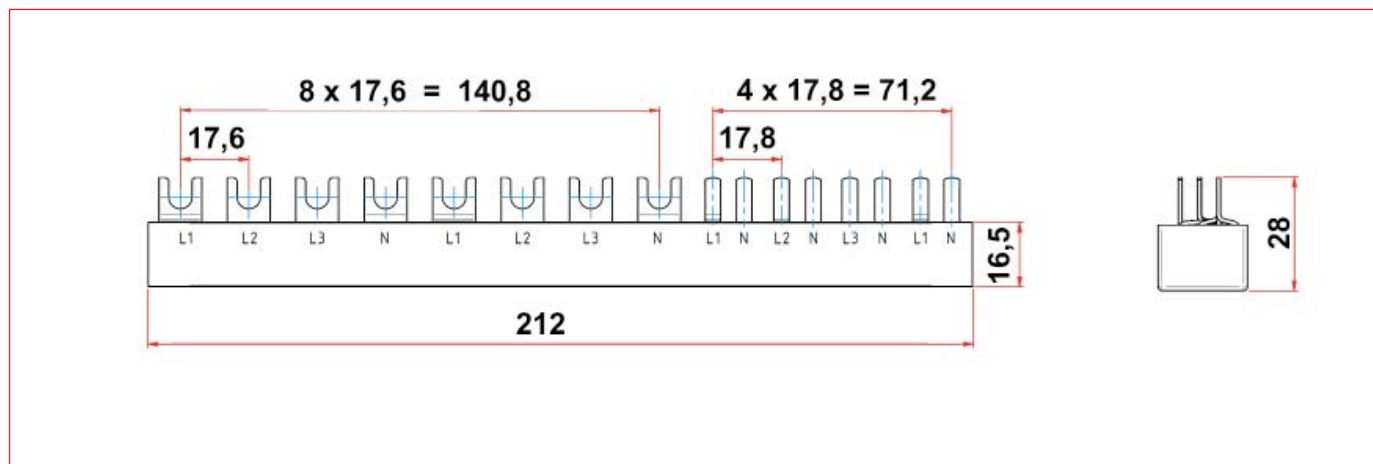


BS900167 Dimensioned drawing

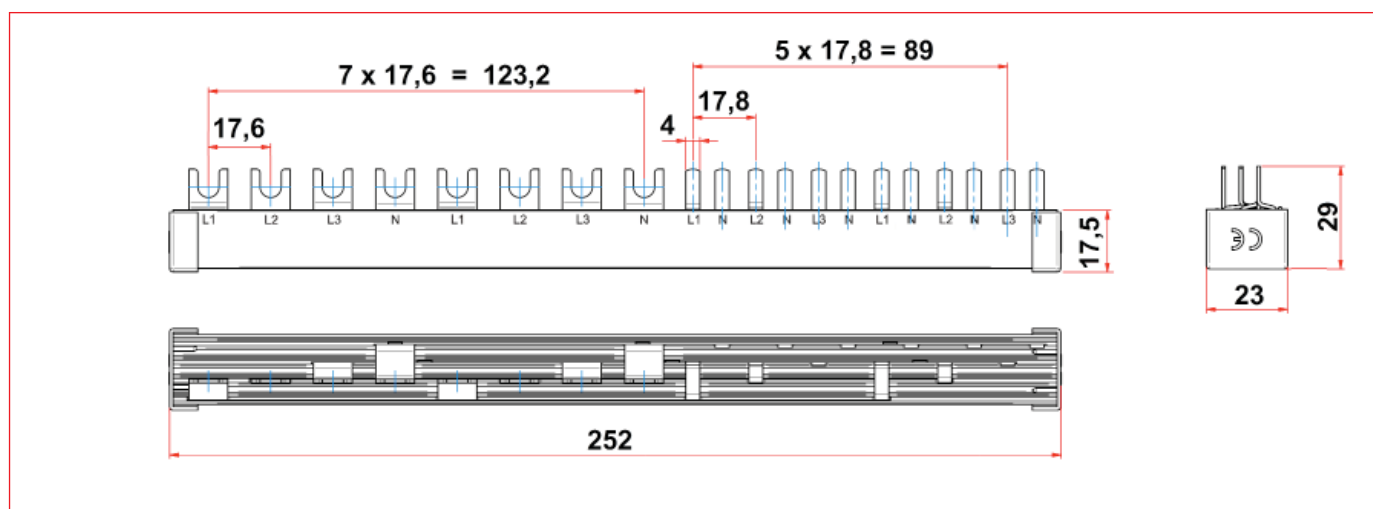


Compact-busbar for MCB 1+N on 1MW

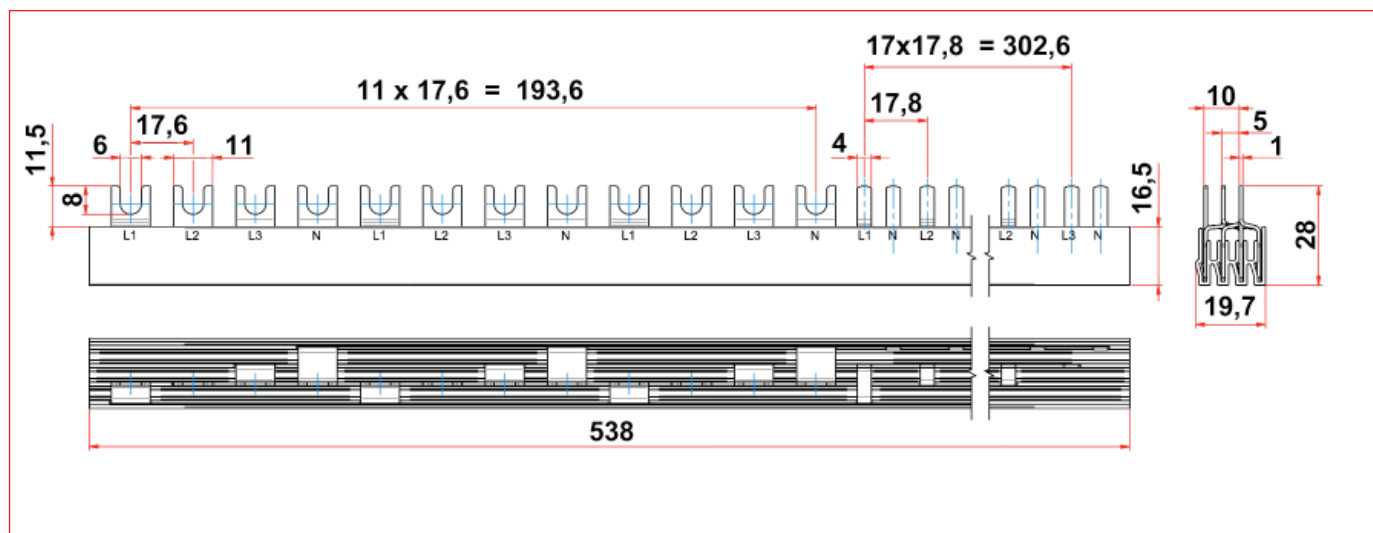
BS990164 Dimensioned drawing



BS900068 Dimensioned drawing

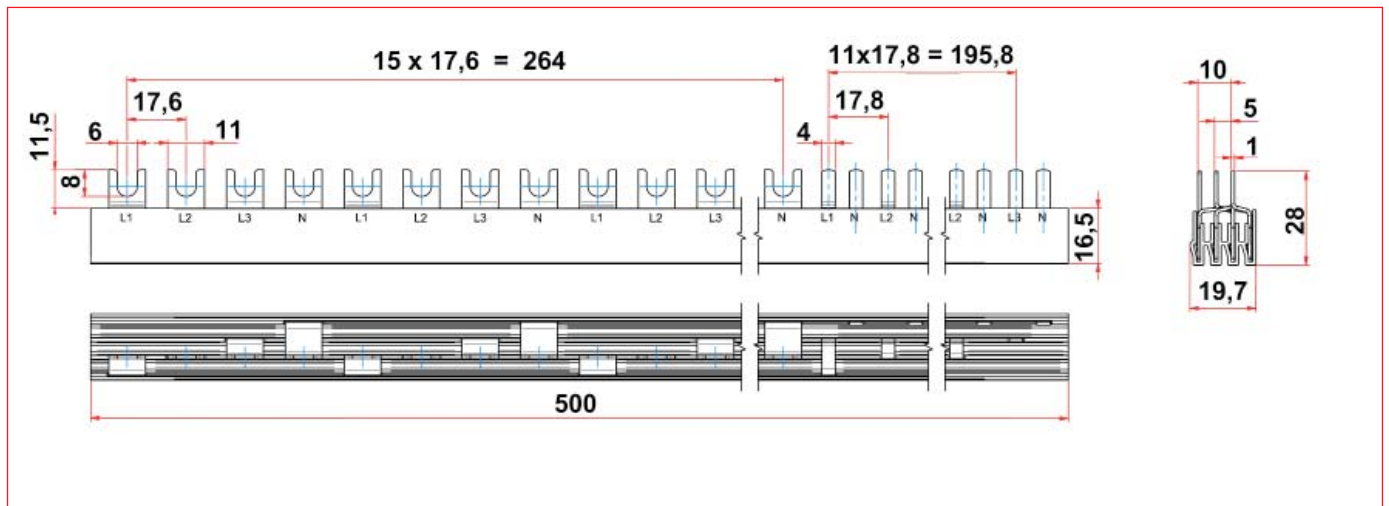





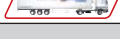


BS990162 Dimensioned drawing



Compact-busbar for MCB 1+N on 1MW

BS990163 Dimensioned drawing



DESCRIPTION	AVAILABLE	ORDER NO.
Busbar		
Compact-Busbar 12MW, 4 pole, 1 RCCB, 1 MCB 4-pole, 4 MCB 1+N/1SU		BS990165
Compact-Busbar 12MW, 4 pole, 1 RCCB, 8 MCB 1+N/1SU		BS990169
Compact-Busbar 12MW, 4 pole, 1 RCCB, 1 MCB 3-pole, 5 MCB 1+N/1SU		BS990167
Compact-Busbar 12MW, 4 pole, 1 RCCB, 1 MCB 4-pole, 4 MCB 1+N/1SU		BS990164
Compact-Busbar 14MW, 4 pole, 1 RCCB, 4 MCB 1+N/1SU		BS900068
Compact-Busbar 30MW, 4 pole, 3 x RCCB or MCB 4-pole, 18 x MCB 1+N/1MW		BS990162
Compact-Busbar 28MW, 4 pole, 4 x RCCB or MCB 4-pole, 12 x MCB 1+N/1MW		BS990163



Order no. blue: on stock, usually ready for delivery on the day of order