

■ Datasheet: D0-fuse switch-disconnector ARROW S



■ SCHRACK-INFO

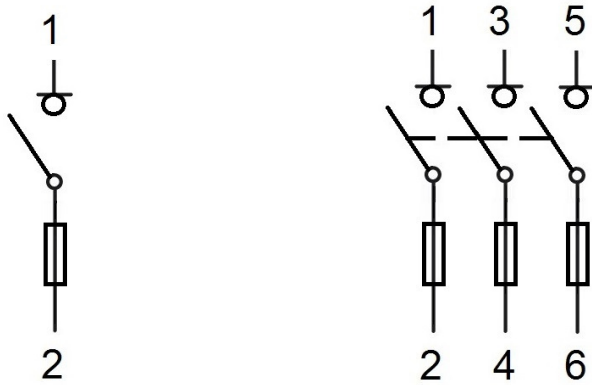
- Dual-function terminal
- Feeding possible from both directions
- Captive fuse carrier
- Lead-sealable

■ Technical data

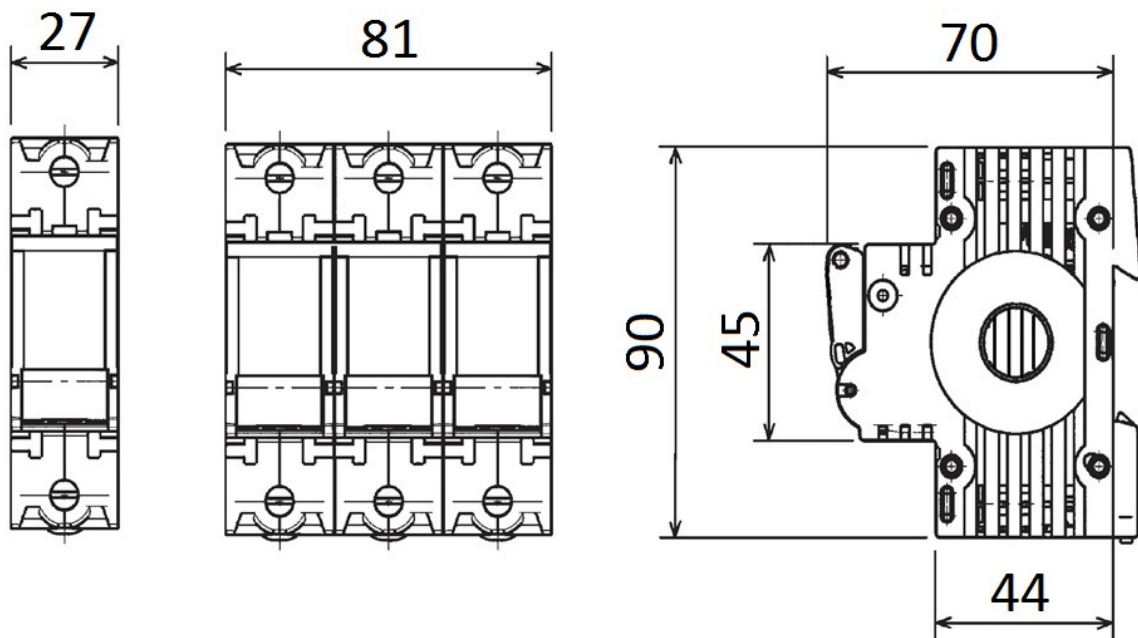
Standards :	IEC 60947-1:2007
	IEC 60947-3:1999 + A1:2001 + A2:2005
	EN 60947-1:2007
	EN 60947-3:1999 + A1:2001 + A2:2005
Standard for fuse links	to IEC / EN 60269-2-1(III)
Rated current:	63A
Poles:	1-pole and 3-pole
Rated voltage:	400V-AC
Rated frequency:	50-60Hz
Utilisation category:	AC-22B (400V) according to IEC 60947-3
Conditional rated short circuit current	50kA

Permitted power dissipation of gG/gL Fuse		
	1-pole	up to 5,5W
	3-pole	up to 5,5W
Power loss:	1-pole	2,6W
		4,9W
		4,9W
	3-pole	7,8W
		12W
		14,7W
		15,9W
		18,3W
		19,8W
		22,8W
Terminal:		dual-function box-terminal 1.5 - 35mm ² for simultaneous connection of 2 wires (35mm ² + 16mm ²) or comb-type busbar + wire flexible cables, directly or with wire-end ferrule
Troque		2,5 - 3Nm
Connecting screws:		+/- (PZ2), galvanized, chromized
Material Characteristics :	Body:	temperature stability 140°C, self-extinguishing in acc. to UL 94, creepage resistance CTI 200
	Handle:	temperature stability 140°C, self-extinguishing in acc. to UL 94, creepage resistance CTI 200
	Fuse carrier:	temperature stability 150°C, self-extinguishing in acc. to UL 94
Shock protected:		to specification BGV A3
Mounting:		clip-on mounting for DIN-rail
Weight	1-pole	140g
	3-pole	420g

■ Wiring diagram



■ Dimensions



 Articles

D0-fuse switch-disconnector ARROW S up to 63A

Description	Article
1-pole	
Switch-disconnector for D02 fuses, series ARROW S, 1-pole, 10A	IS503701--
Switch-disconnector for D02 fuses, series ARROW S, 1-pole, 25A	IS503703--
Switch-disconnector for D02 fuses, series ARROW S, 1-pole, 63A	IS503705--
3-pole	
Switch-disconnector for D02 fuses, series ARROW S, 3-pole, 10A	IS503710--
Switch-disconnector for D02 fuses, series ARROW S, 3-pole, 16A	IS503716--
Switch-disconnector for D02 fuses, series ARROW S, 3-pole, 20A	IS503720--
Switch-disconnector for D02 fuses, series ARROW S, 3-pole, 25A	IS503725--
Switch-disconnector for D02 fuses, series ARROW S, 3-pole, 35A	IS503735--
Switch-disconnector for D02 fuses, series ARROW S, 3-pole, 50A	IS503750--
Switch-disconnector for D02 fuses, series ARROW S, 3-pole, 63A	IS503763--