

**DATA SHEET:**  
**INSULATORS UP TO 1KV**



IK011045-A

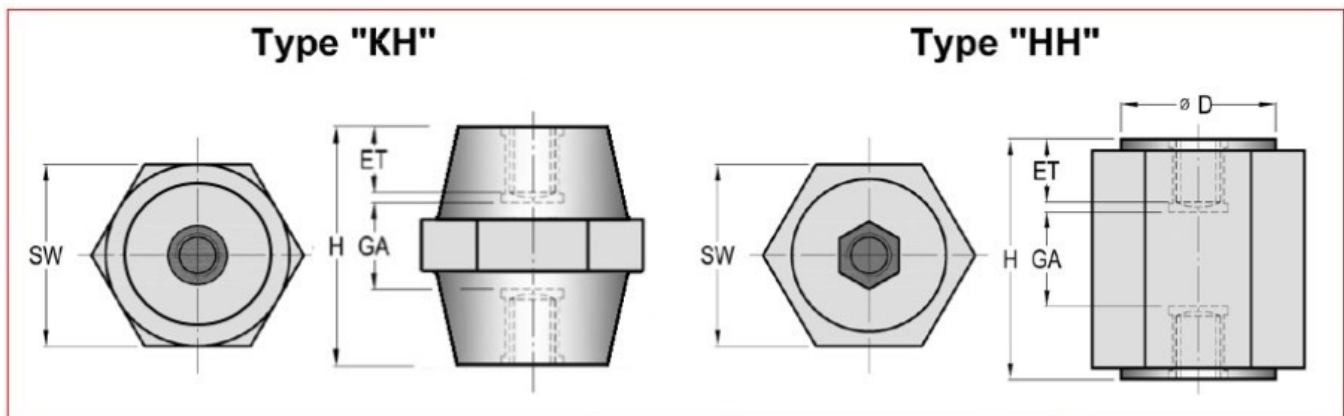


IK011046-A

**SCHRACK-INFO**

- Nominal voltage until 1800V AC optional each type
- Heat-stabilised, glass-fibre reinforced polyester
- Resistant to heat aging, mildew, termites, oil, grease, petrol, alcohol, UV light and tropical climate
- Halogen-free (no corrosive, toxic gases released in the event of fire)
- Maximum tightening torque has to be considered
- Tensile forces from 7200 up to 16000N
- HH type throughout hexagonal, KH type with hexagonal flange in the middle
- CE—conform after VDE 0660-600-1 / EN 61439-1, 06/2012

**DIMENSIONS - TECHNICAL DATA**



Article number	Description	Dimension [mm]					Inside thread	Bending strength [N]	Traction [N]	Max. torques [Nm]	Weight [g]
		H	SW	ET	D	GA					
IK011045-A	H30/M6 - KH	30	33	8	33	9	M6	2000	6500	15*	64
IK011040-A	H35/M6 - KH	35	33	13	33	5	M6	2300	7200	15*	53
IK011042-A	H40/M8 - KH	40	40	13	40	9	M8	4400	12000	35	89
IK011046-A	H50/M8 - HH	50	46	17	46	10	M8	5600	11000	35	119
IK011041-A	H40/M10 - KH	40	40	13	40	9	M10	6200	11000	70	83
IK011047-A	H60/M10 - KH	60	50	18	50	18	M10	5600	16000	70	175
IK011043-A	H50/M12 - KH	50	46	18	46	10	M12	6600	13000	125	146
IK011049-A	H70/M12 - KH	70	55	22	55	20	M12	7500	15000	125	268

\* min. five turn of a thread!

INSULATORS UP TO 1KV

DESCRIPTION	ORDER NO.
2xM6, upheaval 2.0kN (Type KH)	IK011045-A
2xM6, upheaval 2.3kN (Type KH)	IK011040-A
2xM8, upheaval 4.4kN (Type KH)	IK011042-A
2xM8, upheaval 5.6kN (Type HH) hexagonal	IK011046-A
2xM10, upheaval 6.2kN (Type KH)	IK011041-A
2xM10, upheaval 5.6kN (Type KH)	IK011047-A
2xM10, upheaval 6.6kN (Type KH)	IK011043-A
2xM12, upheaval 7.5kN (Type KH)	IK011049-A