

## ■ D0-fuse switch-disconnector TYTAN I up to 16A



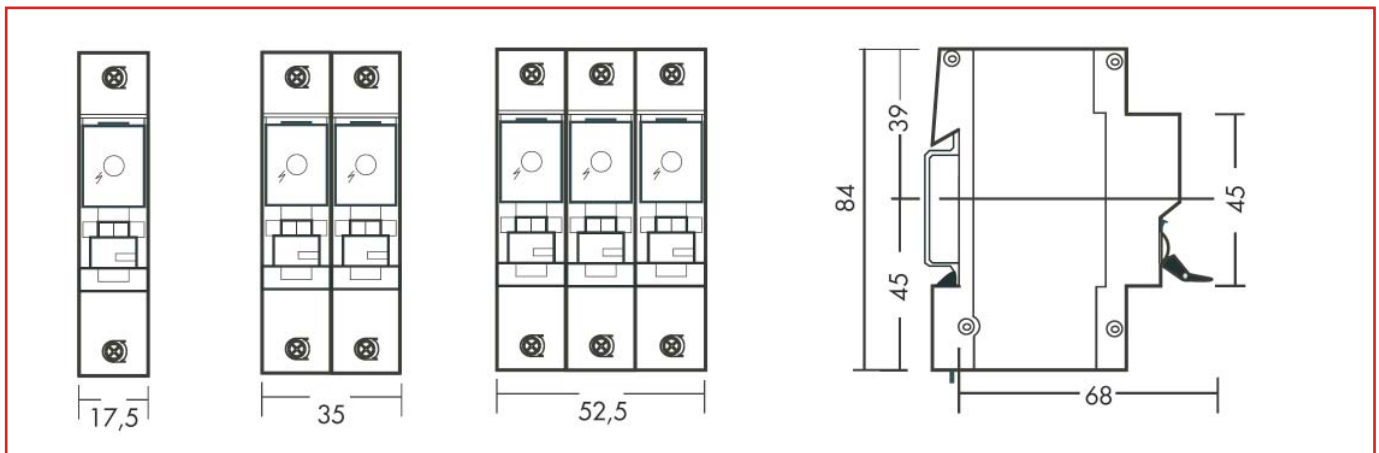
IS503001

### ■ Schrack-Info

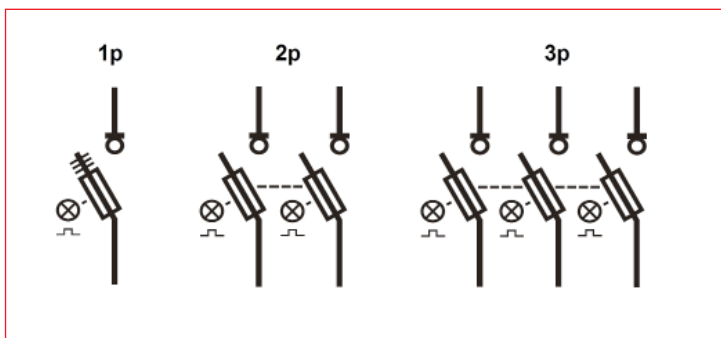
- Installation size: 17.5 mm width per pole
- Integrated flashing indicator
- Supply possible on both ends
- Contact position indicator
- D01 fuse-links from 2 to 16 A
- Breaking capacity 50 kA
- No gauge rings needed

Classification	Fuse-switch-disconnector
Standards	EN 60947, IEC 60947-3, IEC 60269-3, DIN VDE 0660 part 107, DIN VDE 0636 part 41, DIN VDE 0638, DIN VDE 43880
Poles	1-, 2- and 3-pole
Handling	plug in technique without screw cap
For fuses	D01, 2-16A (gG, gL, aM)
Coding	adjustable amperage coding in the switch
Ambient air temperature	-25°C/+60°C
Rated operation voltage $U_e$	400V-AC, 1-pole up to 110V-DC, 2-pole up to 220V-DC
Rated operation current $I_e$	16A
Rated constant current $I_e$	16A
Overvoltage category / Pollution degree	IV/3
Rated surge capacity $U_{mp}$	6kV
Rated short circuit making capacity $I_{cm}$	50kA <sub>eff</sub>
Switching category	AC 22B
Terminals	Terminal cage
Terminal capacity	1,5-25mm <sup>2</sup>
Torque	2,5Nm

### ■ Dimensions

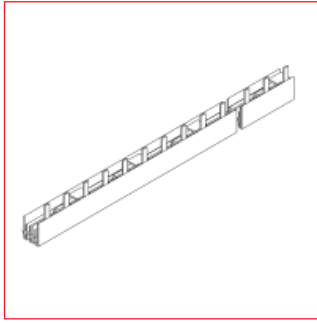


### ■ Wiring diagram



DESCRIPTION	AVAILABLE	ORDER NO.
Tytan I / 1-pole		<b>IS503001</b>
Tytan I / 2-pole		IS503002
Tytan I / 3-pole		<b>IS503003</b>

**Busbar for TYTAN I, MW = 16mm**

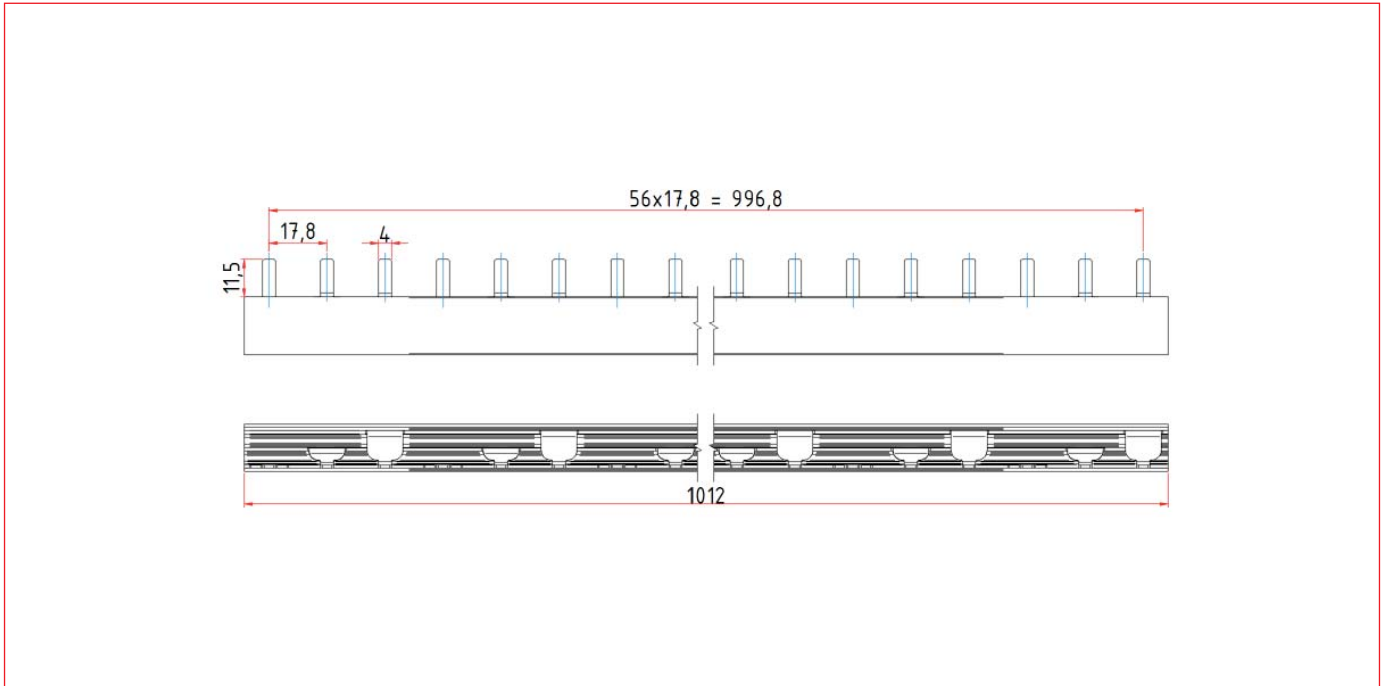




BS900120

**Schrack-Info**

- Pin busbar for wiring of devices with: box or series terminal, clamp-type terminal
- Pitch 17.8 mm
- 57 MW
- Phase sequence: L1, L2, L3, ..... L1, L2, L3

**BS900120 Dimensions**



DESCRIPTION	AVAILABLE	ORDER NO.
Busbar Pin Version 3 pole, 57MW, 10mm <sup>2</sup>		<b>BS900120</b>
Busbar end-cap 2/3-pole		<b>BS900116</b>



## ■ D0-fuse switch-disconnector ARROW S up to 63A



IS503763



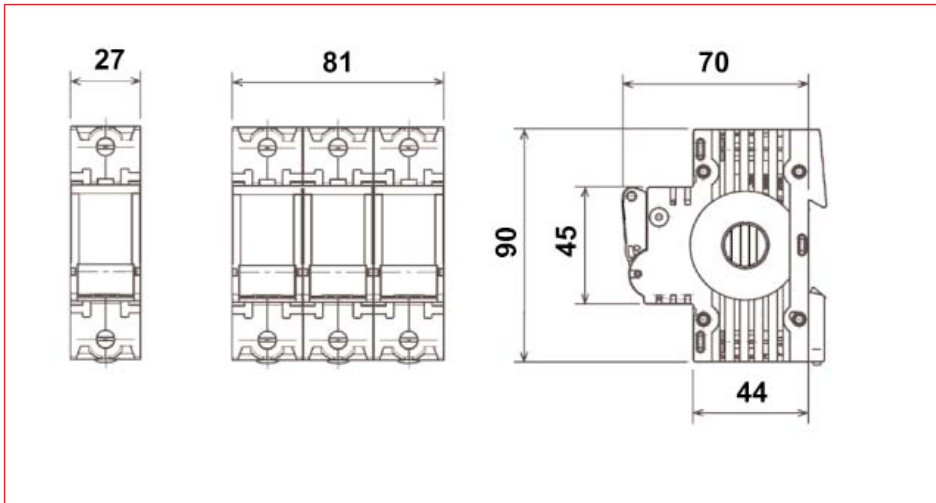
IS503701

### ■ Schrack-Info

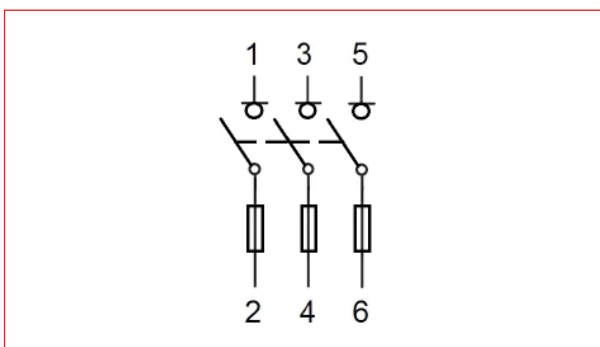
- Dual-function terminal
- Feeding possible from either direction
- Captive fuse carrier
- Lead-sealable
- VDE - certificate

Standards :	EN 60947-1:2007
	EN 60947-3:1999 + A1:2001 + A2:2005
Standard for fuse links	to IEC / EN 60269-2-1(III)
Rated current:	63A
Poles:	1-pole and 3-pole
Rated voltage:	400V-AC
Rated frequency:	50-60Hz
Utilisation category:	AC-22B (400V) according to IEC 60947-3
Conditional rated short circuit current	50kA
Permitted power dissipation of gG/gL Fuse	up to 5,5W
Terminal:	dual-function box-terminal 1.5 - 35mm <sup>2</sup> for simultaneous connection of 2 wires (35mm <sup>2</sup> + 16mm <sup>2</sup> ) or comb-type busbar + wire flexible cables, directly or with wire-end ferrule
Connecting screws:	+/- (PZ2), galvanized, chromized
Torque	2,5 - 3Nm
Shock protected:	to specification BGV A3
Mounting:	clip-on mounting for DIN-rail
Weight	1-pole 140g / 3-pole 420g

### ■ Dimensions

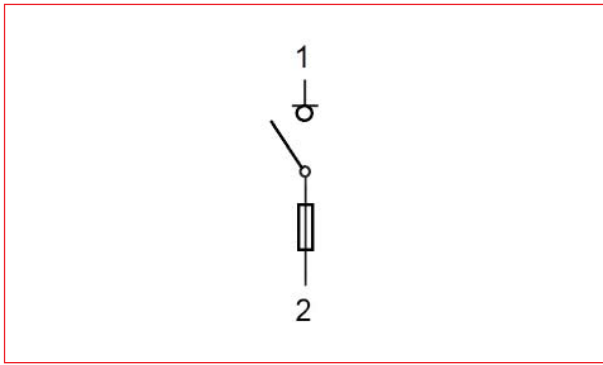


### ■ Wiring diagram , 3-pole-version



■ DO-fuse switch-disconnector ARROW S up to 63A

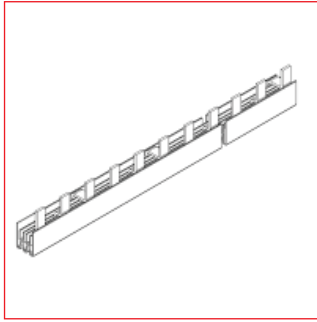
■ Wiring diagram , 1-pole-version



DESCRIPTION	AVAILABLE	ORDER NO.
Switch-disconnector D02, series ARROW S, 1-pole, 16A		<b>IS503701</b>
Switch-disconnector D02, series ARROW S, 1-pole, 25A		<b>IS503703</b>
Switch-disconnector D02, series ARROW S, 1-pole, 63A		<b>IS503705</b>
Switch-disconnector D02, series ARROW S, 3-pole, 10A		IS503710
Switch-disconnector D02, series ARROW S, 3-pole, 16A		IS503716
Switch-disconnector D02, series ARROW S, 3-pole, 20A		<b>IS503720</b>
Switch-disconnector D02, series ARROW S, 3-pole, 25A		<b>IS503725</b>
Switch-disconnector D02, series ARROW S, 3-pole, 35A		<b>IS503735</b>
Switch-disconnector D02, series ARROW S, 3-pole, 50A		<b>IS503750</b>
Switch-disconnector D02, series ARROW S, 3-pole, 63A		<b>IS503763</b>



## Busbar for ARROW S

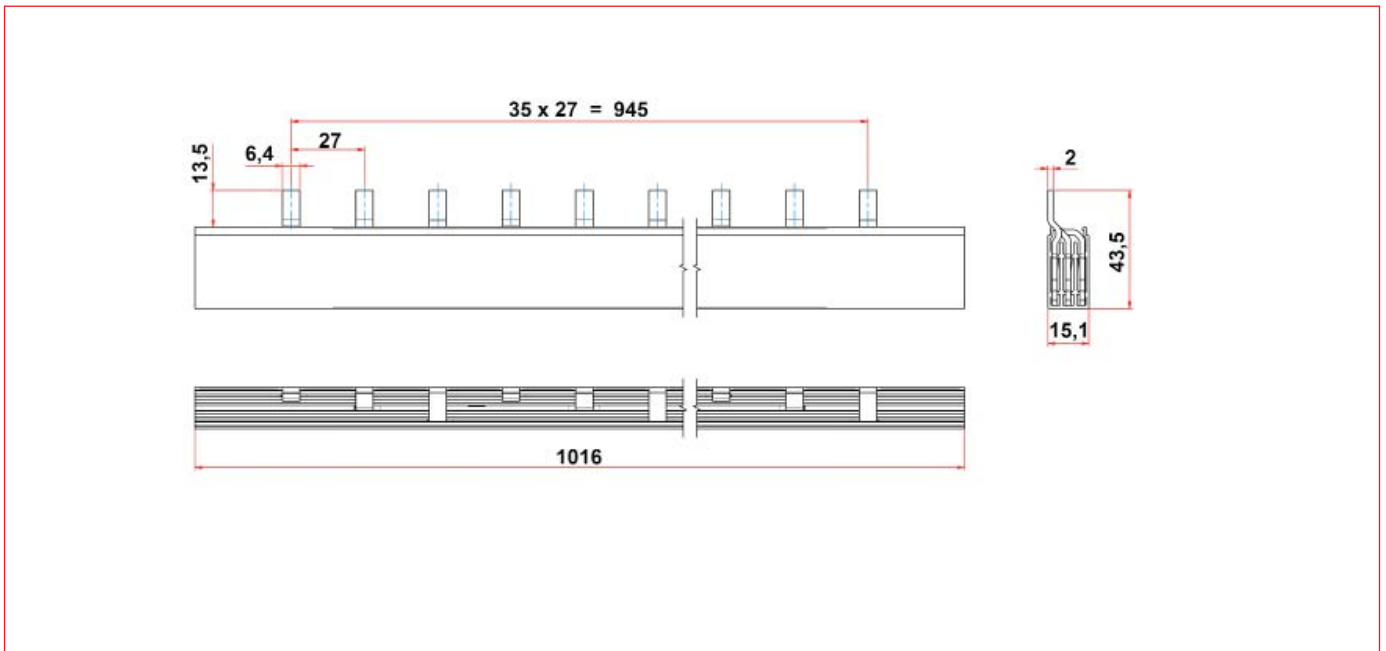


BS9001xx

### Schrack-Info

- Pin busbars especially for D02-fuse-load-breaker series ARROW S
- Through the dual-function terminal it is possible to busbar and wiring in a terminal
- Pitch 27 mm
- 36 MW = 12 x 3-pole ARROW S

### BS900147 Dimensions



DESCRIPTION	AVAILABLE	ORDER NO.
ARROW S - Busbar 35mm <sup>2</sup> , MW=27mm, 3-pole, 1m		<b>BS900147</b>
End-cap for ARROW S - Busbar BS900147		<b>BS900189</b>

**DO-fuse switch-disconnector-socket TYTAN II up to 63A**



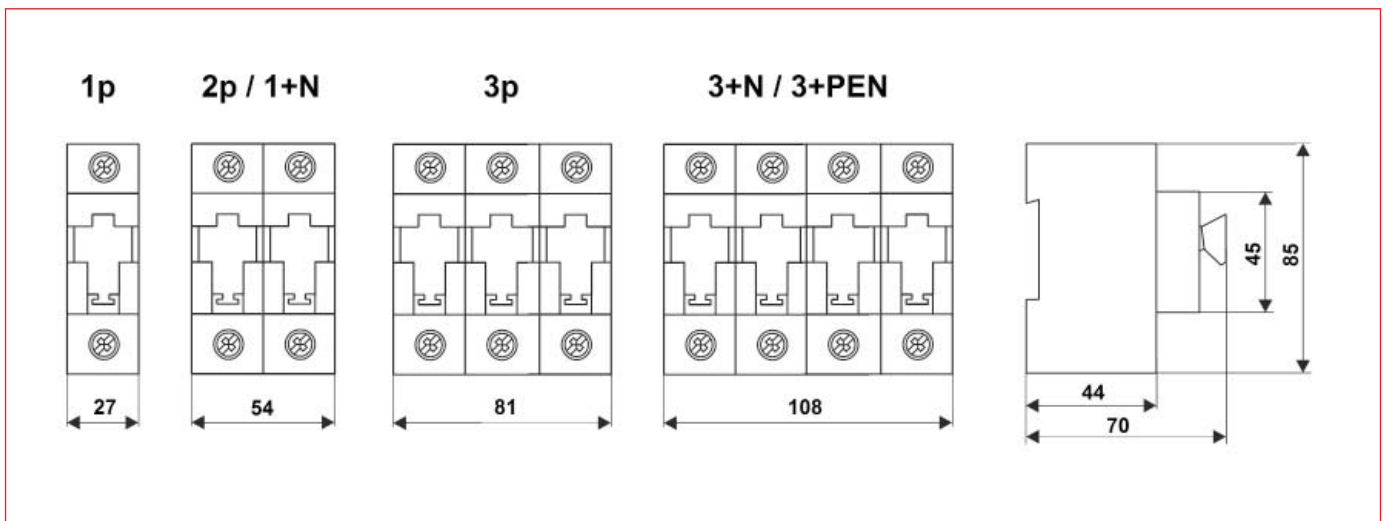
IS504702-A

**Schrack-Info**

- Reliable with flashing indicator
- Plug-in style without screw cap
- Full coding through gauge-pieces for each current level
- For D0 fuse-links 2... 63 A
- Breaking capacity 50 kA
- Lockable, sealable, supply possible from both sides










Classification	Fuse-switch-disconnector
Standards	EN 60947, IEC 60947-3 / DIN VDE 0636 part 41, DIN VDE 0660 part 107, IEC 60269-3 /DIN VDE 0638, DIN VDE 43880
Poles	3-pole
Handling	Plug-in technique without screw caps
Suitable for fuses	D02, 2-63A
Ambient air temperature Storage min/max	- 25°C/ + 100°C
Operation min/max	- 25°C/ + 60°C
Insulating parts synthetic	material free of halogen, phosphorus and silicone
Fire class / creep resistance	UL94/V0, heat filament test 960°C/CTI 600
Protection / contact-voltage protection	IP 20/finger and backhand protection
Rated operation voltage $U_e$	400 V-AC
Rated operation current $I_n$	63 A
Rated constant current $I_U$	63 A
Overvoltage category / Pollution degree	IV/3 (DIN VDE 0110)
Rated surge capacity $U_{imp}$	6000 V
Rated special voltage	400 V-AC
Rated short circuit making capacity $I_{CM}$	50kAeff
Switching category AC 22B	AC 22B
Connection technique	Stainless steel terminal cage without galvanic surface
Terminal - Branch terminal suitable for	a) 1 solid conductor, fine or multiple wires 1,5mm <sup>2</sup> - 35mm <sup>2</sup> b) above: terminal lugs of wiring bars under: fine wires with wire end ferrule 6 mm <sup>2</sup> c) 2 solid conductor fine wires with wire end ferrule from each 2 x 1,5 mm <sup>2</sup> - each 2 x 16 mm <sup>2</sup>
Torque MD M6 Pozidriv	4Nm
Lockable	by customary padlock
Sealable	yes
Feed in both sides	in both sides

**Dimensions**



# D0-fuse material series SCHRACK

## D0-fuse switch-disconnector-socket TYTAN II up to 63A

DESCRIPTION	AVAILABLE	ORDER NO.
1-pole		<b>IS504700-A</b>
2-pole		<b>IS504701-A</b>
3-pole		<b>IS504702-A</b>
3-pole, fixed adjust, 25 A		<b>IS509325</b>
3-pole, fixed adjust, 35 A		<b>IS509335</b>
3-pole, fixed adjust, 50 A		<b>IS509350</b>
1-pole + N		<b>IS504703-A</b>
3-pole + N		<b>IS504704-A</b>
3-pole with PEN-terminal		<b>IS504730</b>

**■ Fuse plug for TYTAN II**



IS504716-A

**■ Schrack-Info**

- Plug-in principle, without screw cap, with touch-proof gauge-pieces, D0 fuse, complete (1 set = 3 pieces) in mounting box
- With flashing indicator
- Rated voltage 400 V AC
- Characteristic gG/gL

DESCRIPTION	AVAILABLE	ORDER NO.
2A, pink, D01		<b>IS504710-A</b>
4A, brown, D01		<b>IS504711-A</b>
6A, green, D01		<b>IS504712-A</b>
10A, red, D01		<b>IS504713-A</b>
16A, grey, D01		<b>IS504714-A</b>
20A, blue, D02		<b>IS504715-A</b>
25A, yellow, D02		<b>IS504716-A</b>
32A, purple, D02		<b>IS504726</b>
35A, black, D02		<b>IS504717-A</b>
40A, violet, D02		<b>IS504740</b>
50A, white, D02		<b>IS504718-A</b>
63A, copper, D02		<b>IS504719-A</b>

**■ D0-fuse switch-disconnector TYTAN II complete up to 63A**



IS5047PL25

**■ Schrack-Info**

- Plug-in style without screw cap
- Coding through gauge-pieces for the current level

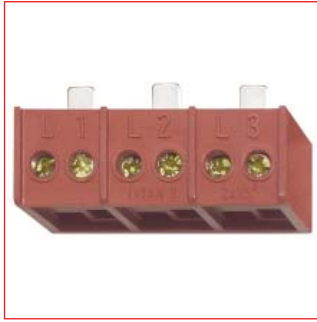
DESCRIPTION	AVAILABLE	ORDER NO.
TYTAN II 3-pole, complete 20A, with flashing indicator		<b>IS5047PL20</b>
TYTAN II 3-pole, complete 25A, without flashing indicator		<b>IS5047PL25</b>
TYTAN II 3-pole, complete 35A, without flashing indicator		<b>IS5047PL35</b>
TYTAN II 1-pole, fixed adjust, complete, 40 A, with flashing indicator		<b>IS509340</b>
TYTAN II 3-pole, complete 50A, without flashing indicator		<b>IS5047PL50</b>
TYTAN II 3-pole, complete 63A, without flashing indicator		<b>IS5047PL63</b>
TYTAN II 1-pole, fixed adjust, complete, 25 A, with flashing indicator		<b>IS504729</b>



**Order no. blue:** on stock, usually ready for delivery on the day of order



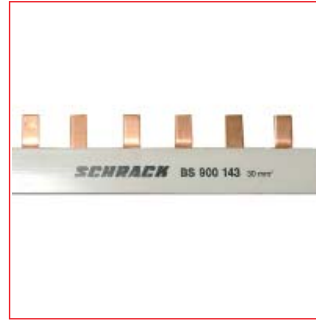
## Accessories for TYTAN II



IS504722



IS504721

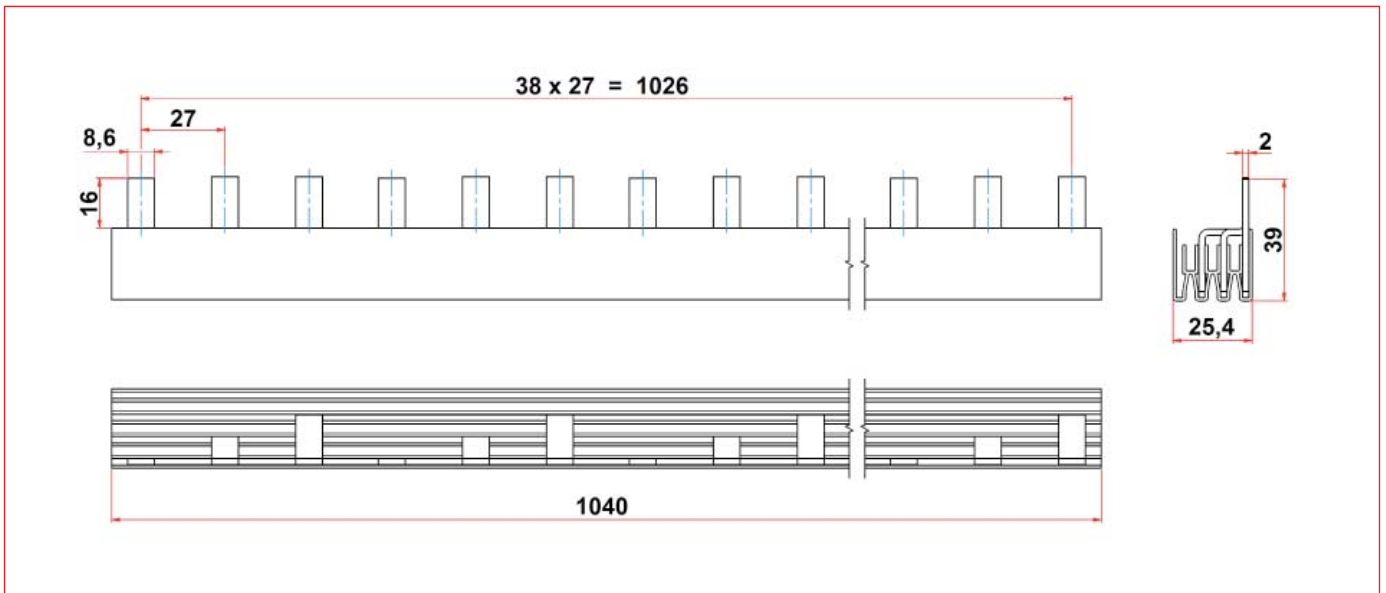


BS900143

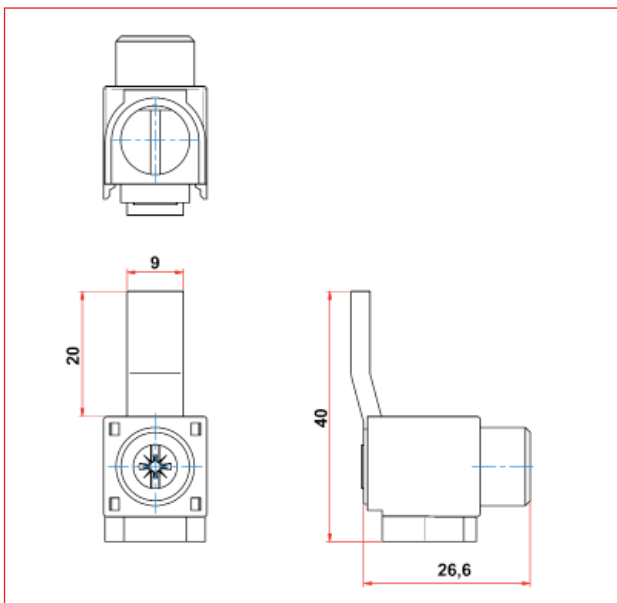
## Schrack-Info

- Connection bridges
- Connection terminals
- 3- and 4-pole busbars











## BS900143 Dimensions



## BS900179 Dimensions



## Accessories for TYTAN II

DESCRIPTION	AVAILABLE	ORDER NO.
Connection bridge for TYTAN II		<b>IS504725</b>
Empty box TYTAN 2300		<b>IS504741</b>
Locking part with plastic lock for TYTAN II		<b>IS504721</b>
Double terminal 3 x 2 x 35mm for TYTAN II and Coron		<b>IS504722</b>
TYTAN II - terminal 95mm <sup>2</sup>		<b>IS504724</b>
Connection Terminal 50mm <sup>2</sup> , Pin 20x9mm Straight		<b>BS900179</b>
Busbar Pin Version 1 pole, 16mm <sup>2</sup> / MW=27mm for Neozed, 1 m		BS900133
Busbar Pin Version 3 pole, 16mm <sup>2</sup> / MW=27mm for Neozed, 1 m		<b>BS900134</b>
Busbar end-cap 2/3-pole		<b>BS900116</b>
TYTAN Busbar Pin Version 30mm <sup>2</sup> / MW=27mm, 3 pole, 1 m		<b>BS900143</b>
TYTAN Busbar Pin Version 30mm <sup>2</sup> / MW=27mm, 4 pole, 1 m		<b>BS900144</b>
Busbar End Cap 3/4P 30mm <sup>2</sup> , for BS900143 and BS900144		<b>BS900187</b>



## ■ D0-fuse switch-disconnector TYTAN T



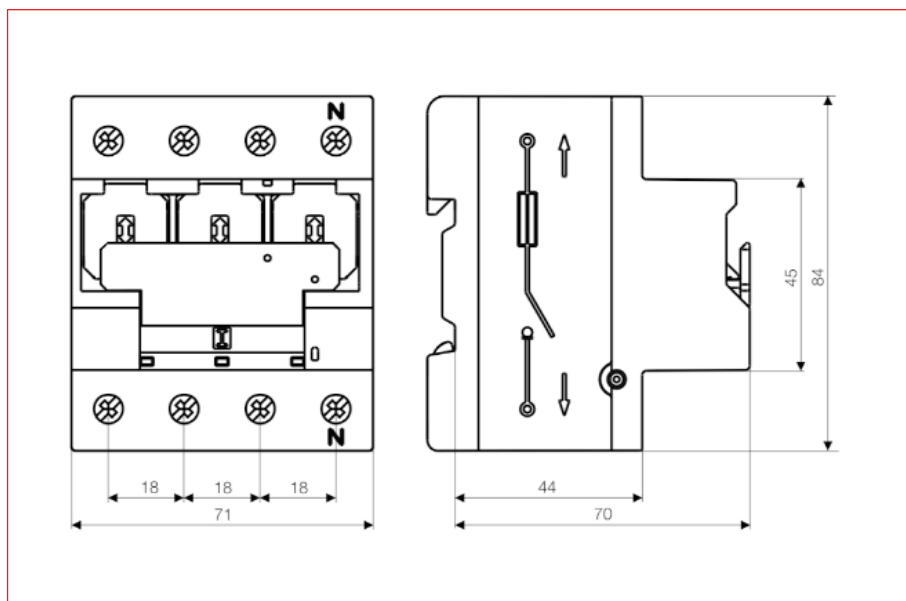
IS503030

### ■ Schrack-Info

- With optical indication: operation, power failure, left rotary field, flashing indicator for fuse-link blown, overtemperature
- Power monitoring and rotary field monitoring
- Thermal monitoring
- Fuse monitoring
- Independent manual operation
- Incl. Plug retaining spring for: D0 - fuse 2...63A and cylindrical fuses 1...63A
- D02 - gauge 2...50A
- Compact form, only 4 module wide

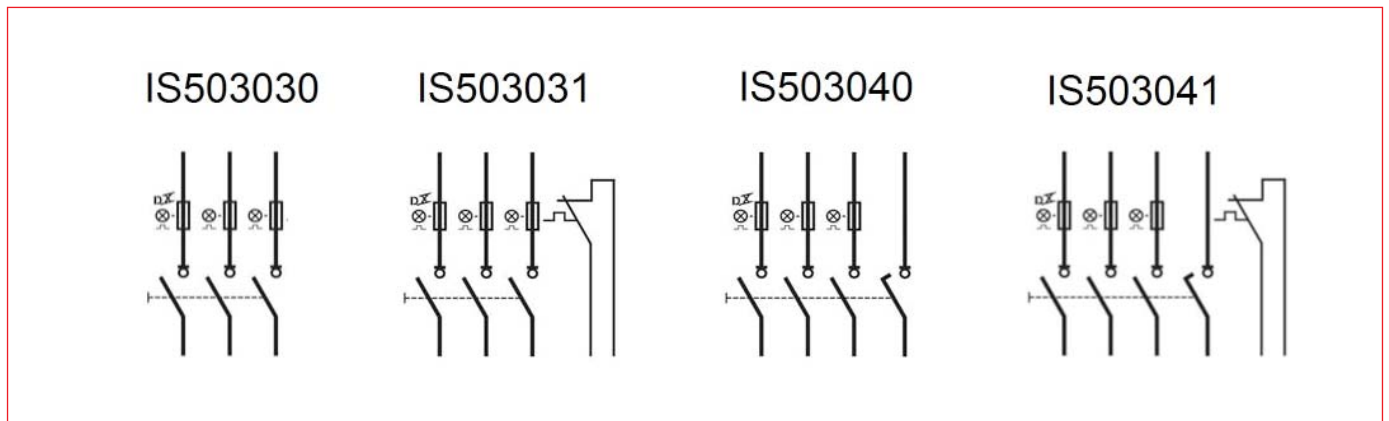
Classification	Switch-disconnector-fuse
Standards / regulation	DIN EN 60947-3, IEC 60947-3
Test-certificate	VDE
Suitable for D0-fuses IEC/EN 60269-3	D01: 2, 4, 6, 10, 13, 16A with plug-with decrease spring D02: 20, 25, 32, 35, 40, 50, 63A
Suitable for cylindrical fuses IEC/EN 60269-2	10x38 mm: 2 ... 32A with plug-with decrease spring
Suitable for gauge-pieces IEC/EN 60269-3	D02: 2, 4, 6, 10, 16, 20, 25, 35, 50 A
Poles	3-pole, 3-pole+N
Insulating parts / plastic	free of halogen, phosphorus and silicon
Flame class / comparative tracking index	UL94 - V0, glow wire test 960 °C / CTI 600
Degree of protection (Behind front plate with inserted plugs) / Contact voltage protection	IP20C /finger- and backhand safe
Ambient air temperature min/max	-25 °C / 40 °C (24h average ≤ 35 °C)
Ambient air temperature for storage min/max	-25 °C / 60 °C
Rated operational voltage (range)	U <sub>e</sub> 400 V AC (+/- 10 %)
Rated operational current	I <sub>o</sub> 63 A
Rated uninterrupted current	I <sub>u</sub> 63 A
Rated conditional short-circuit current	50 kA <sub>r.m.s</sub>
Power dissipation at I <sub>o</sub> without fuse L1, L2, L3 / N	1,8 W / 1,1 W
Utilization category	AC 22B
Overvoltage category	IV (IEC/EN 60664-1)
Pollution degree	3 (IEC/EN 60664-1)
Rated impulse withstand voltage	U <sub>imp</sub> 6000 V
Power consumption electronic	3x176 mVA
Connection - low loss stainless steel cage terminal	1,5...25 mm <sup>2</sup>
Torque	3 Nm
Monitoring relay	AC: 5 A / 250 V, cos phi 1, 85 °C AC-15: 0,75 A / 240 V; 1,5 A / 120 V DC-13: 1 A / 24 V
Female header push-in	0,2...2,5 mm <sup>2</sup> / AWG 26 - AWG 12

### ■ Dimensions



**DO-fuse switch-disconnector TYTAN T**

**Wiring diagram**



DESCRIPTION	AVAILABLE	ORDER NO.
TYTAN T, 3-pole		<b>IS503030</b>
TYTAN T, 3-pole with remote control		IS503031
TYTAN T, 3 + N		<b>IS503040</b>
TYTAN T, 3 + N with aux. contact		IS503041
Adapter-ring D02 to D01		<b>ISF90299</b>
TYTAN T-busbar C-version 16mm <sup>2</sup> / MW=18mm, 3 pole, 1m		<b>BS900145</b>
Busbar end-cap 2/3-pole		<b>BS900116</b>
C-Busbar 4-pole, L1/L2/L3/N, 56MW, 16mm <sup>2</sup>		<b>BS990122</b>
Busbar end-cap 4-pole		<b>BS900117</b>

## ■ D0-fuse switch-disconnector CORON 2



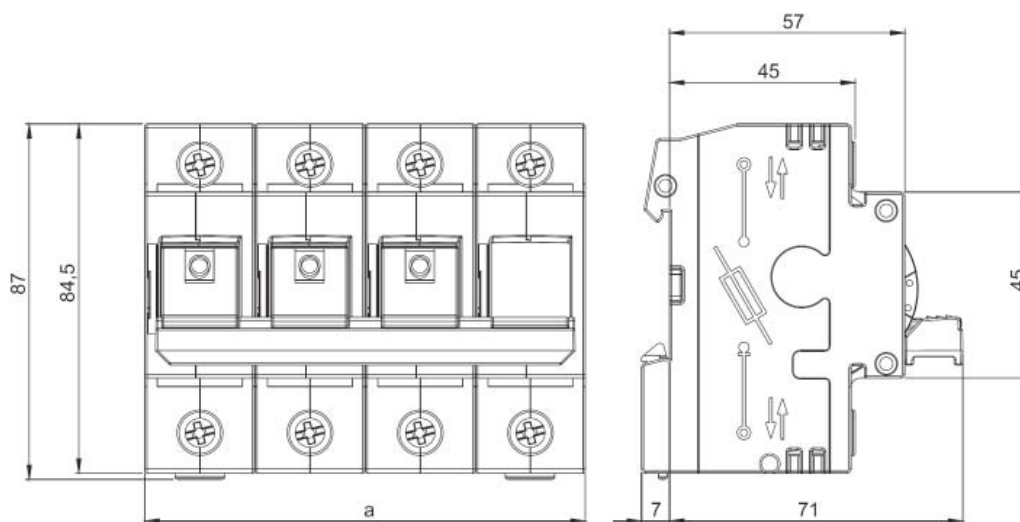
IS503103

### ■ Schrack-Info

- Fault signal reliable, by flashing indicator
- Lockable by customary padlock
- Easy to handle by plug-in design without screw cap
- Melt inserts and gauge-pieces in chapters D01 and D02 – fuse-links

Classification	Fuse-switch-disconnector
Standards	DIN VDE 0638, DIN VDE 0660, DIN VDE 60947
Poles	1-pole, 2-pole, 3-pole, 1-pole+N, 3-pole+N
Handling	Plug-in style without screw cap
Suitable for fuses gL, gG, aM	D01: 2, 4, 6, 10 and 16; D02: 20, 25, 35, 50 and 63
Ambient air temperature operation min/max	-25°C/+60°C
Insulating parts	synthetic material free of halogen, phosphorus and silicone
Protection / contact-voltage protection	IP 20/finger and backhand protection
Rated operation voltage $U_e$	400V-AC
Rated operation current $I_n$	63A
Rated constant current $I_u$	63A
Switching category	AC 22B
Feed in both sides	in both sides
Overvoltage category / Pollution degree	IV/3 (DIN VDE 0110)
Rated surge capacity $U_{imp}$	6kV
Rated short circuit making capacity $I_{CM}$	50kA <sub>eff</sub>
Connection technique	Stainless steel terminal cage without galvanic surface
Terminal capacity	solid conductor, fine or multiple wires 1,5mm <sup>2</sup> ... 35mm <sup>2</sup>
Torque	4Nm

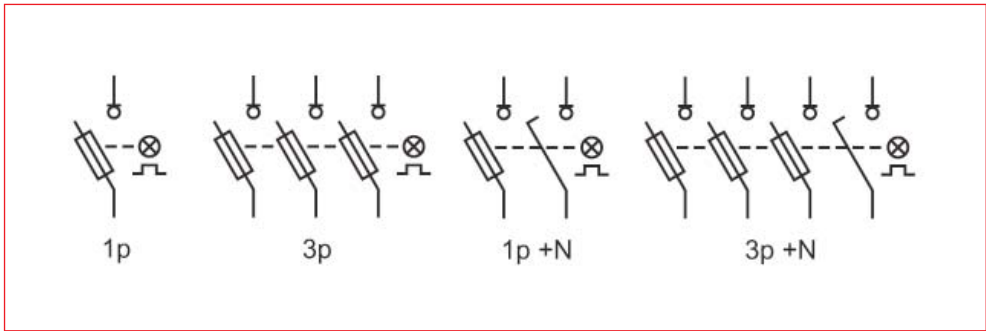
### ■ CORON - Dimensions



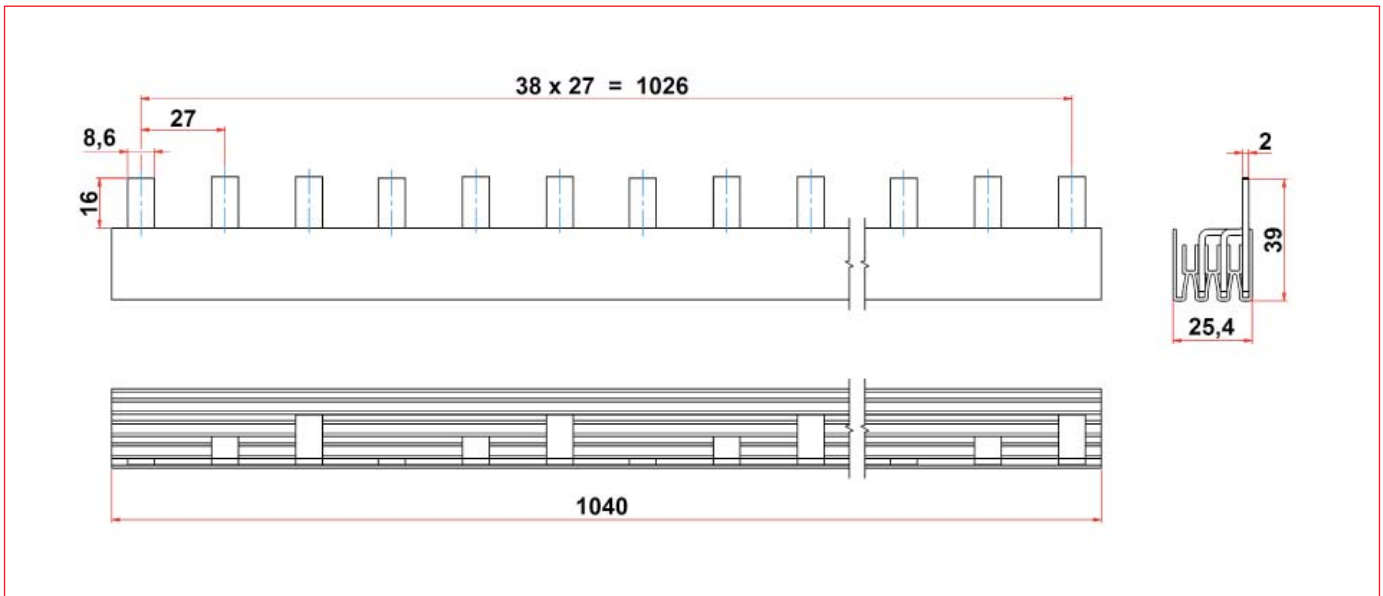
	a
1p	27 mm
1p+N	54 mm
3p	81 mm
3p+N	108 mm

**DO-fuse switch-disconnector CORON 2**

**CORON - Wiring diagram**



**BS900143 Dimensions**



DESCRIPTION	AVAILABLE	ORDER NO.
1-pole		<b>IS503101</b>
1-pole+N		IS503106
3-pole		<b>IS503103</b>
3-pole, 20 A with adjusting sleeve		IS503320
3-pole, 25 A with adjusting sleeve		<b>IS503325</b>
3-pole, 35 A with adjusting sleeve		<b>IS503335</b>
3-pole+N		<b>IS503108</b>
Reduction for CORON 2 , D01 into D02		<b>IS503105</b>
Busbar Pin Version 3 pole, 16mm <sup>2</sup> / MW=27mm für Neozed, 1m		<b>BS900134</b>
Busbar end-cap 2/3-pole		<b>BS900116</b>
TYTAN Busbar Pin Version 30mm <sup>2</sup> / MW=27mm, 3 pole, 1m		<b>BS900143</b>
Busbar End Cap 3/4P 30mm <sup>2</sup> , for BS900143 and BS900144		<b>BS900187</b>

## ARROW ON D0-fuse switch-disconnector



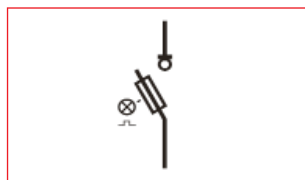
ISF53000

### Schrack-Info

- Safe operation
- Switchable D02 fuse base, 1-pole up to 63 A
- No screw cap, but a connector secured against loosening
- Release via push button
- Coding by gauge-pieces in chapters D01 and D02 – fuse-links
- Supply on both sides
- Rail connection with Connect busbar
- Type ARROW ON / LED with flashing indicator
- Type 10 A sealable

Classification	Fuse-switch-disconnector
Standards	EN 60947-3: 1999 + A1: 2001, IEC 60947-3: 2001
Poles	single pole
Handling	plug-in technique without screw cap
Suitable for fuses gL, gG, aM	D01: 2, 4, 6, 10 and 16;
	D02: 20, 25, 35, 50 and 63
Ambient air temperature	-25 °C/+60 °C
Insulating parts	synthetic material free of halogen, phosphorus and silicone
Fire classification / creep resistance	UL94/V0, filament test 960 °C/CTI 600
Protection / Contact voltage protection	IP 20/finger and backhand protection
Rated operation voltage $U_e$	400V AC
Rated operation current $I_e$	63A
Rated constant current $I_c$	63A
Overvoltage category / pollution degree	IV/3 (DIN VDE 0110)
Rated short circuit making capacity $I_{cm}$	50kA <sub>eff</sub>
Switching category	AC 22B
Rated surge capacity $U_{imp}$	4kV
rated insulation voltage $U_i$	690V
feed in	both sides
Terminal capacity, solid wire	1,5 - 35mm <sup>2</sup>
Torque	max. 4 Nm
Lockable	by customary padlock
Sealable	yes

### Wiring diagram



DESCRIPTION	AVAILABLE	ORDER NO.
ARROW ON, D0-load fuse breaker 1-pole		<b>ISF53000</b>
ARROW ON, D0-Fuse Switch disconnector 10A fixed		<b>ISF53010</b>
Servicebox with 12 fuses D02 / 40A		<b>ISF54040</b>
Adapter-ring D02 to D01		<b>ISF90299</b>

DO-fuse switch-disconnector TYTAN T with fuse-monitoring



IS503038



IS504871

Schrack-Info

- DO switch-disconnector with advanced electronic monitoring
- Construction: The TYTAN main protection consists of 1 ... 12 switch-disconnector TYTAN TH1 and one TYTAN HR12 main protective relay. The links of the main protection components are made with RJ10 connector wires quickly and easily.
- The 12 switch-disconnector can also be mixed TYTAN TH1 and RH1 TYTAN switches
- Monitored functions are output to potential-free relay contacts

Technical Data IS504871

Standards	DIN EN 61000 (EMV), IEC/EN 61000-4-2, IEC/EN 61000-4-4, EN 60255	
Rated voltage	24 VDC	
Power loss per TYTAN TH1	Working 0,4 W / interference 1,25 W	
Power loss TYTAN HR12	0,96 W	
Relay-contact	fuse-monitoring, overheating-monitoring	
Rated/ -voltage/ -current	250 V / 5A $\mu$ AC cos phi = 1	
	30 V / 5A DC	
	300 V / 0,25 DC	
Minimum operation / -voltage/ -current	100 mV / 10mA AC/DC	
Dielectric strength	coil-contact 4 kV <sub>eff</sub>	
	NC-contact 1 kV <sub>eff</sub>	
Rated impulse withstand voltage	4 kV	
Overvoltage category	III	
<b>General</b>		
Fire classification/ creep resistance	UL94/V0, glow wire test 960° / CTI 600	
Pollution degree	3	
Protection category device/front	IP20/IP40	
Temperature-range ambient / stock	-25°C up to +60°C / -40°C up to +60°C	
Connection	rigid	1x4mm <sup>2</sup> /2x1,5 mm <sup>2</sup>
	flexible	1x2,5mm <sup>2</sup>
Torque M <sub>D</sub>	0,5 Nm	

Technical Data IS504870

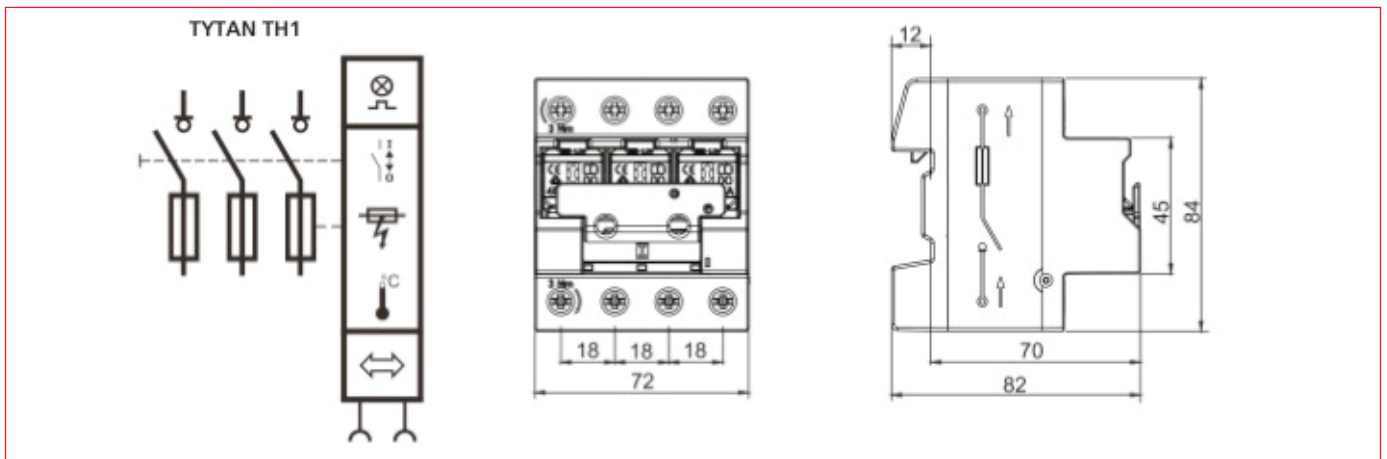
Standards	DIN EN 61000 (EMV), IEC/EN 61000-4-2, IEC/EN 61000-4-4, EIN 60255	
Rated voltage	24 VDC	
Power loss per TYTAN TH1	Working 0,4 W / interference 1,25 W	
Power loss Tytan HR11	1,15 W	
<b>Relay-contact</b>	fuse-monitoring, overheating-monitoring	
Rated/ -voltage/ -current	250 V / 5 A $\mu$ AC cos phi = 1	
	30 V / 5 A DC	
	300 V / 0,25 A DC	
Minimum operation / -voltage/ -current	100 mV/10 mA AC/DC	
Dielectric strength	coil-contact 4 kV <sub>eff</sub>	
	NC-contact 1 kV <sub>eff</sub>	
Rated impulse withstand voltage	4 kV	
Overvoltage category	III	
<b>General</b>		
Fire classification/ creep resistance	UL94/V0, glow wire test 960° / CTI 600	
Pollution degree	3	
Protection category device/front	IP20 / IP40	
Temperature-range ambient / stock	-25°C up to +60°C / -40°C up to +60°C	
Connection	rigid 1x4mm <sup>2</sup> / 2x1,5mm <sup>2</sup>	
	flexible 1x2,5mm <sup>2</sup>	
Torque M <sub>D</sub>	0,5Nm	



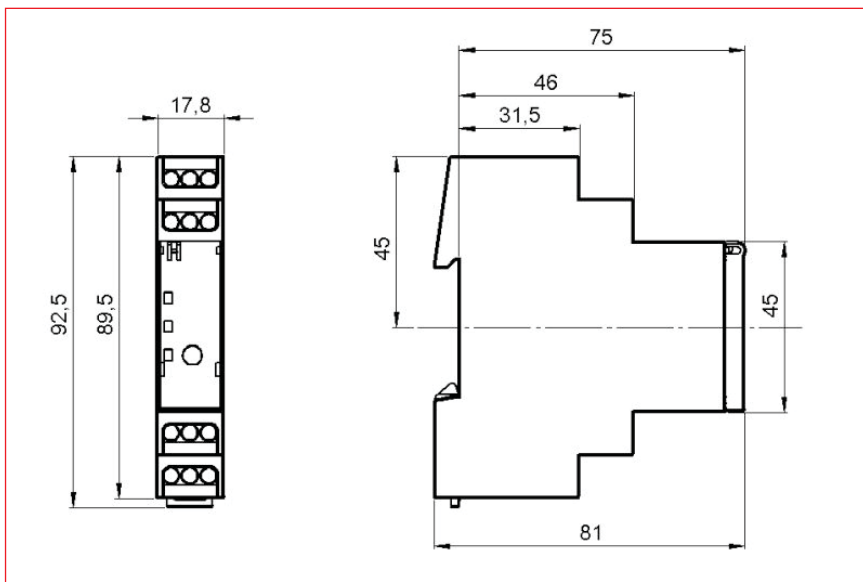
# D0-fuse material series SCHRACK

■ D0-fuse switch-disconnector TYTAN T with fuse-monitoring

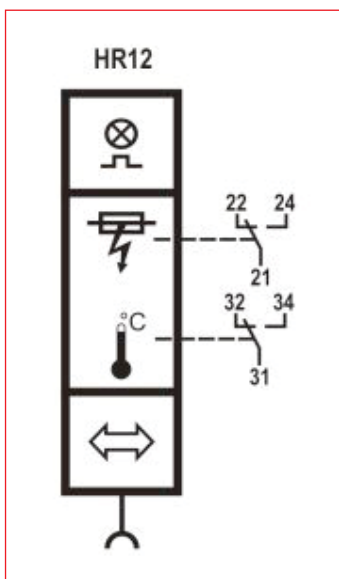
■ TYTAN T Dimensions



■ IS504870/IS504871 Dimensions

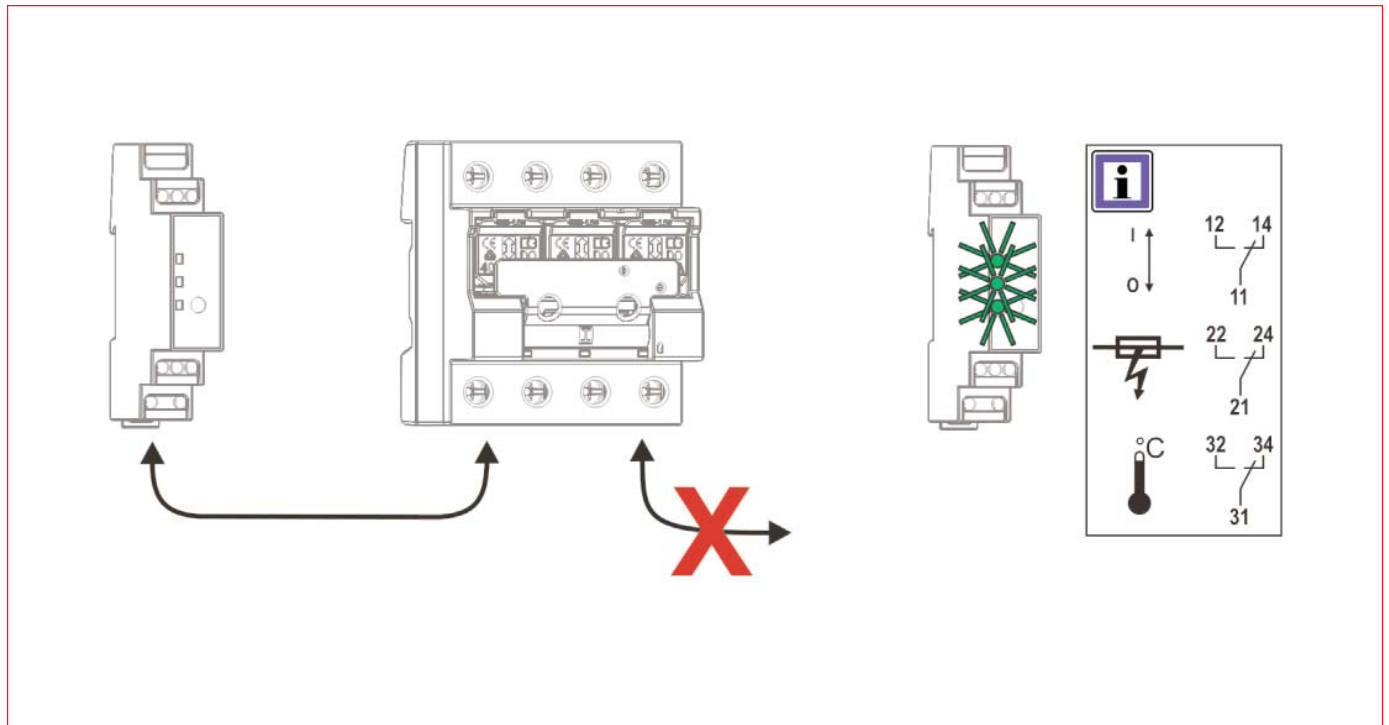


■ IS504871

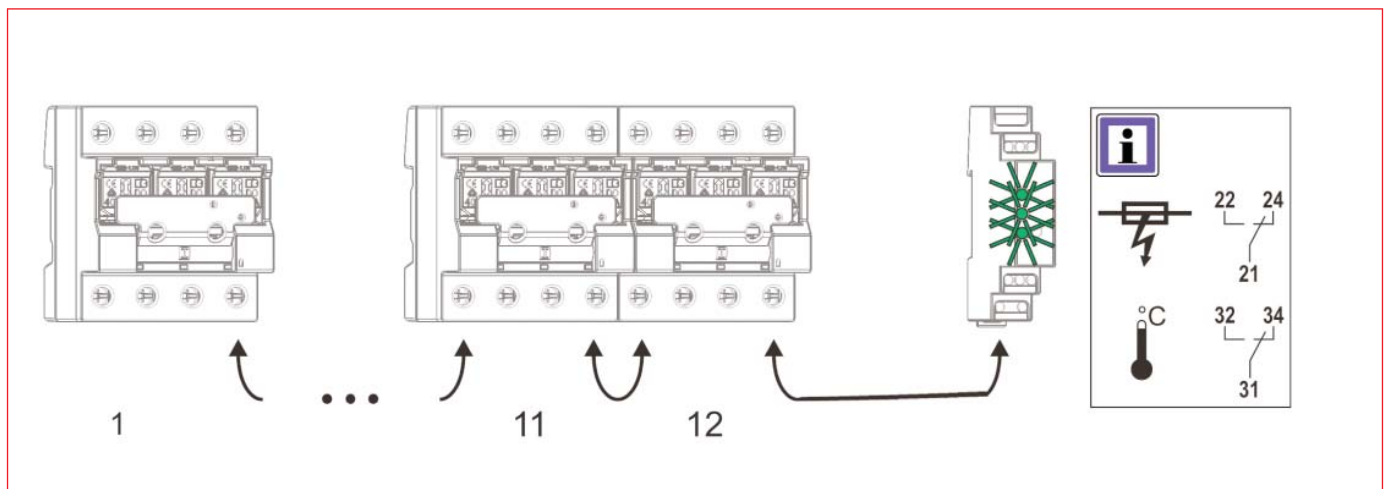


DO-fuse switch-disconnector TYTAN T with fuse-monitoring

IS504870



IS504871



DESCRIPTION	AVAILABLE	ORDER NO.
TYTAN TH1, 3-pole with monitoring		<b>IS503038</b>
TYTAN TH1, 3+N with monitoring		IS503039
TYTAN HR12-relays summary-module-monitoring 2 C/O 5A / 250 VAC		<b>IS504871</b>
TYTAN HR11-relays single-module-monitoring 2 C/O 5A / 250 VAC		<b>IS504870</b>
TYTAN HC-Patchcord RJ10 15 cm		IS504873
TYTAN HC-Patchcord RJ10, 100 cm		<b>IS504877</b>

## ■ D0-fuse switch-disconnector-socket TYTAN II with super short circuit protection



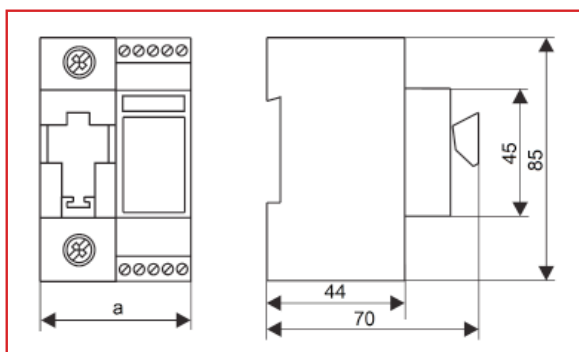
IS504705

### ■ Schrack-Info

- D0-fuse switch-disconnector with advanced fuse monitoring
- Principle: When the supply voltage U is applied, the green LED is lit and the two relays are activated – closed-circuit principle – monitoring is active. As a result of the short-circuit, the fuse insert switches off. The energy released during the short-circuit is destroyed efficiently within the fuse body. The contacts of the motor protection are thus protected from burn-off by arcs. If a fuse insert switches off, the electronic monitoring is activated by an optocoupler – the yellow LED flashes – both relays are deenergised.
- The double-relay system gives the user the possibility to use one relay in the control circuit and the other for remote data communication. The alarm signal is maintained even when manually switching the device. Readiness is reached only by replacing the fuse-link and pressing the 'reset' button.
- The short circuit may cause a dreaded two-phase operation. The lower the engine is run with its rated load, the slower react the bimetals of the motor and the longer lasts this fault condition. There is no rotation stability in this case! The main protection also closes this vulnerability and thus completes the engine protection!

Detection system:	LED green illuminate = operation availability LED yellow flashing = short circuit	
Auxiliary-contact:	2 CO, 5 A, 250 V	
Short circuit indicator:	1 CO, 5 A, 250 V	
Rated voltage:	Power supply:	90 V - 400 VAC 90 V - 250 V AC
	Relays - part:	24 V - 240 VAC/DC (closed circuit principle)

### ■ IS50470X Dimensions



Type	a
1p	54 mm
1+N	81 mm
2p	81 mm
3p	108 mm
3+N	135 mm

DESCRIPTION	AVAILABLE	ORDER NO.
3-pole		IS504707
1-pole + N		IS504708
2-pole		<b>IS504706</b>
1-pole		<b>IS504705</b>
3-pole + N		IS504709

### ■ Accessories for D0-fuse-material



ISF90299

### ■ Schrack-Info

- Retaining spring
- Gauge-piece key

DESCRIPTION	AVAILABLE	ORDER NO.
Locking part with lock for TYTAN II		IS504720
Retaining spring for SI310060 D02		<b>IS504140</b>
Adapter-ring D02 to D01		<b>ISF90299</b>
Set Screw key, D01 - D03		IS504550